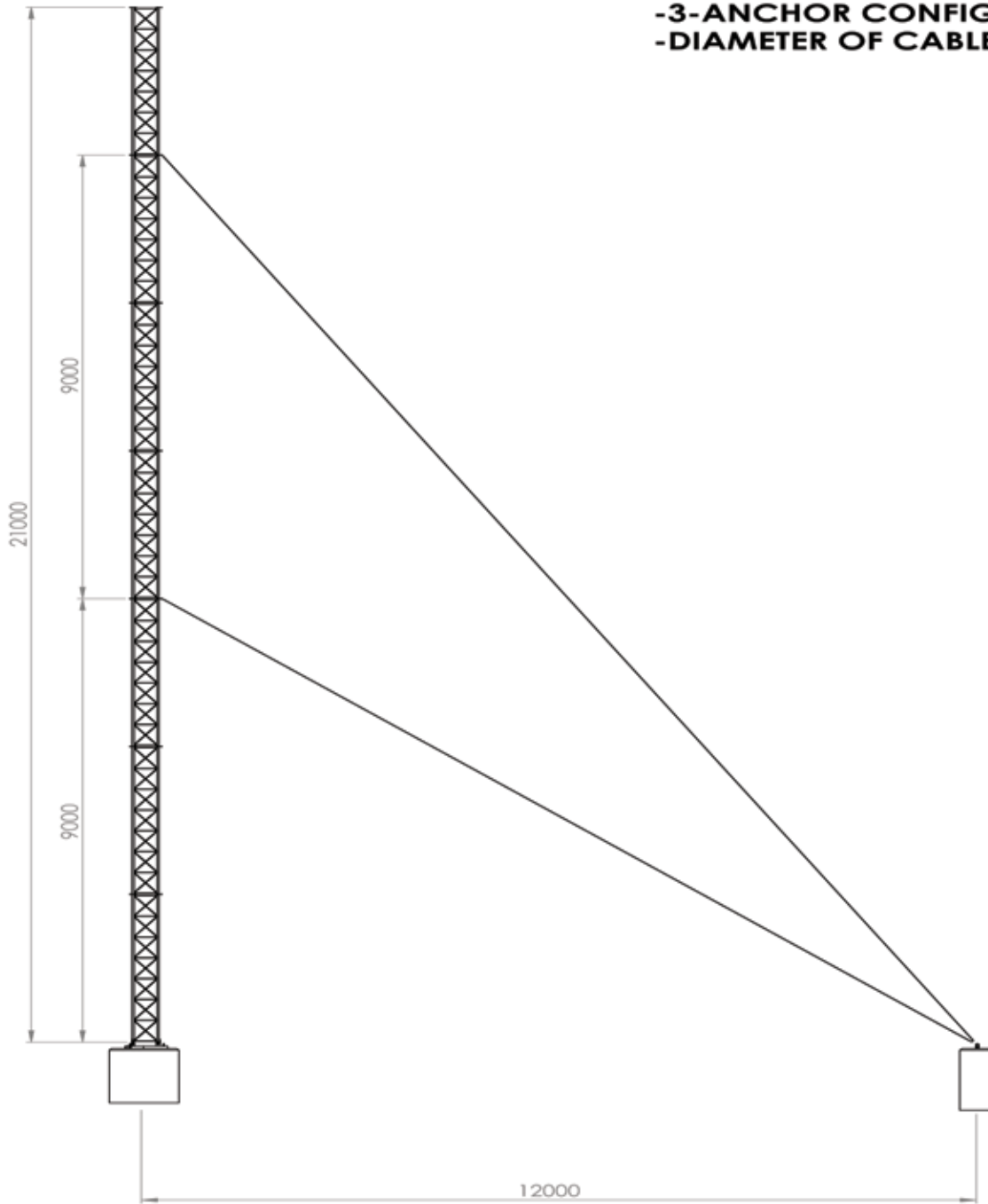
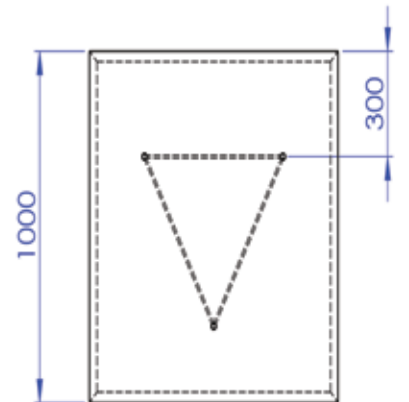
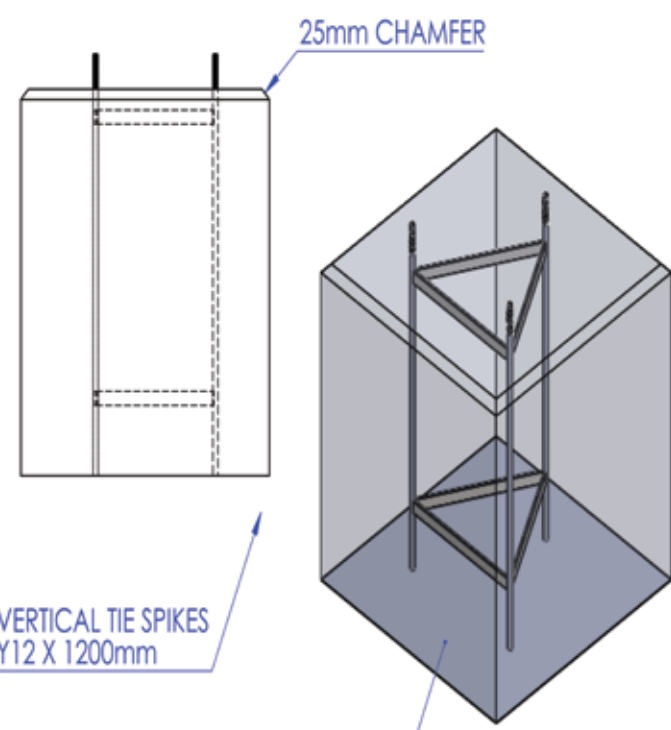
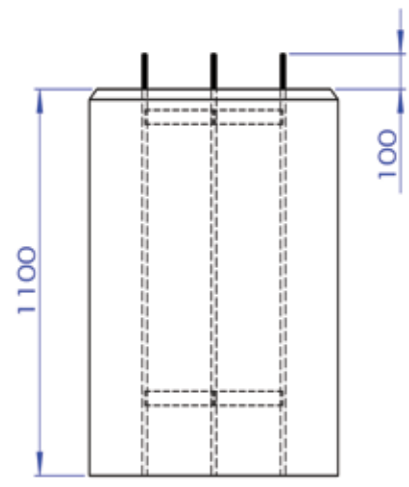


- 450PL 21 METER TOWER
- 6- CABLE CONFIGURATION
- 3- ANCHOR CONFIGURATION
- DIAMETER OF CABLE ANCHORS = 24M

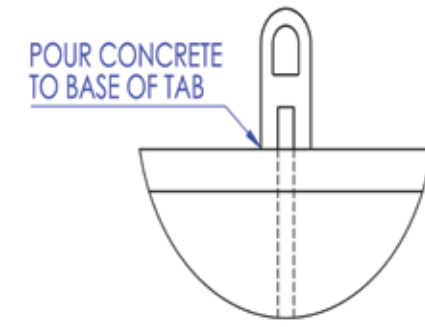
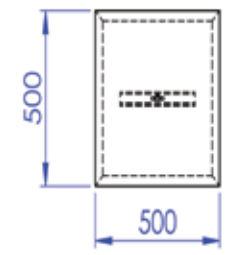
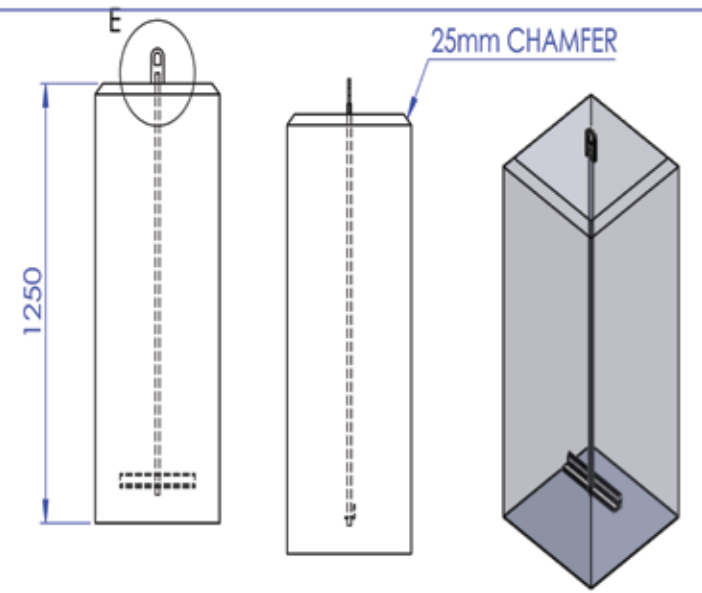




VERTICAL TIE SPIKES
Y12 X 1200mm

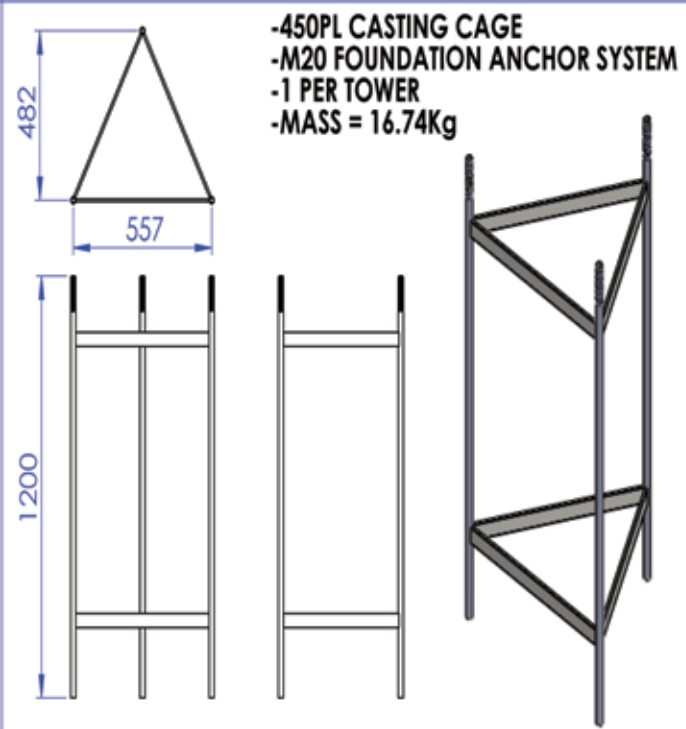
TIE OFF AT
ALL INTERSECTIONS

- 450PL TOWER FOUNDATION
- RE-INFORCED FOUNDATION BLOCK FOR TOWERS ABOVE 33M HEIGHT
- 1 PER TOWER
- CONCRETE VOLUME = 1.1m³ @ 25MPa
- Y12 RE-INFORCING = 121Kg
- 50mm SUB-BASE LAYER RECOMMENDED

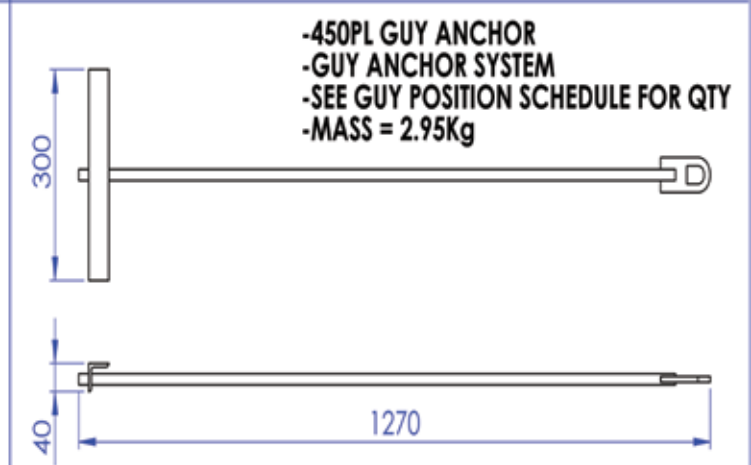


- 450PL GUY ANCHOR FOUNDATION
- SEE GUY POSITION DETAIL FOR SPECIFIC TOWER HEIGHT FOR QUANTITY
- CONCRETE VOLUME = 0.33m³ @ 25MPa

DETAIL E
SCALE 1 : 5



- 450PL CASTING CAGE
- M20 FOUNDATION ANCHOR SYSTEM
- 1 PER TOWER
- MASS = 16.74Kg



- 450PL GUY ANCHOR
- GUY ANCHOR SYSTEM
- SEE GUY POSITION SCHEDULE FOR QTY
- MASS = 2.95Kg

