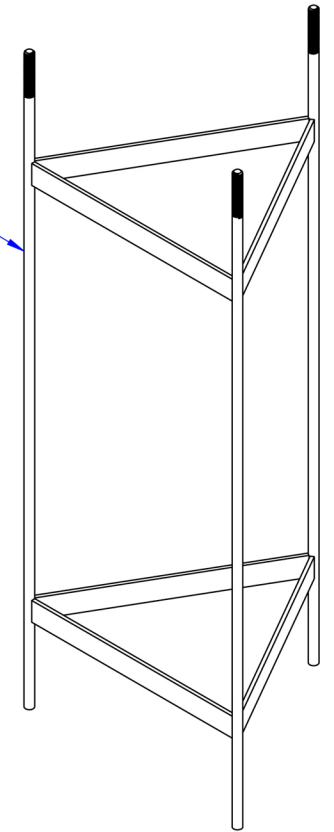
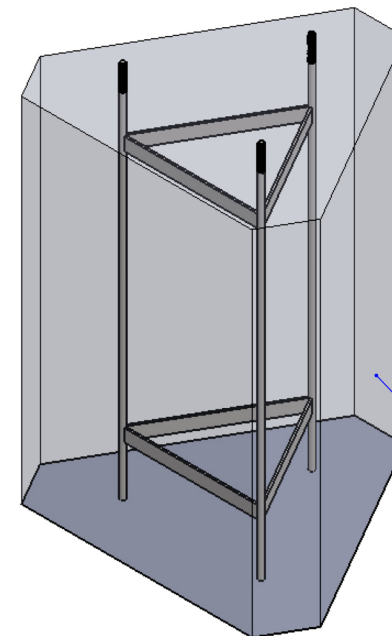
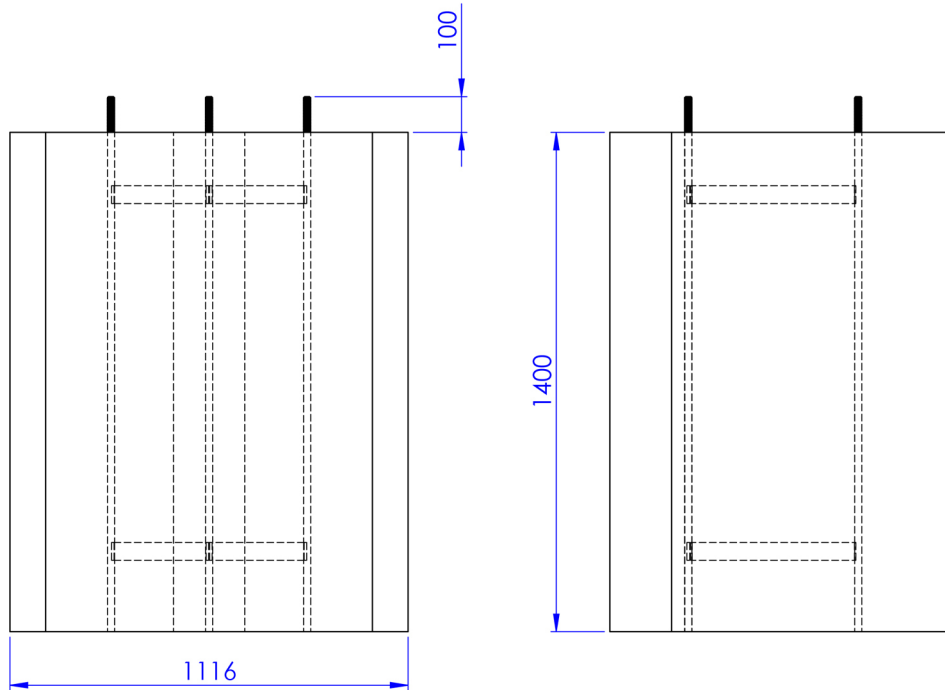


High tensile rod welded together with steel bar and threaded to M20



450PL CASTING CAGE



Ready mixed concrete
25MPa
1 cubic meter

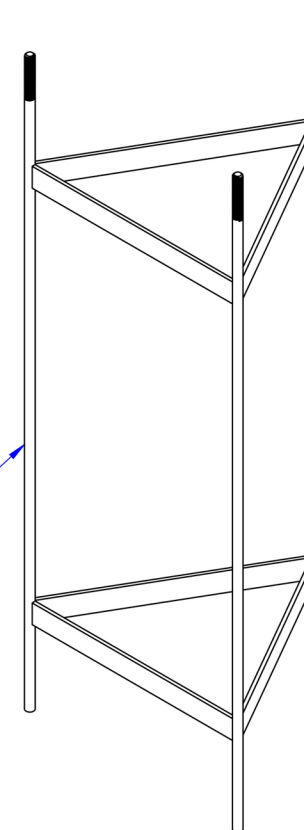
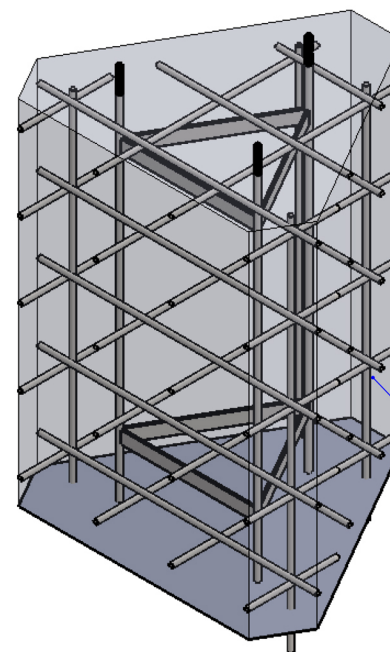
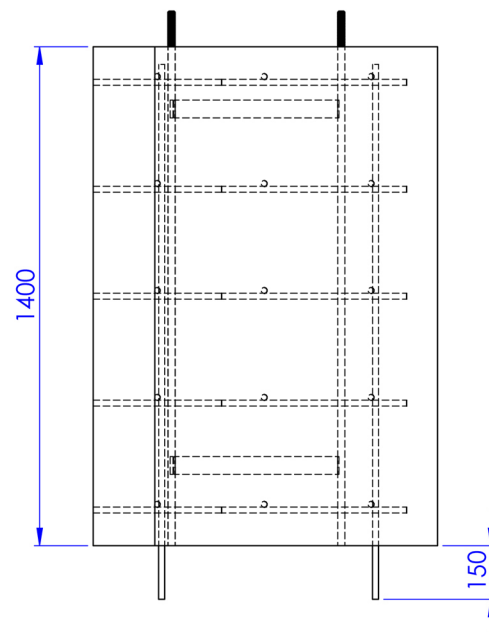
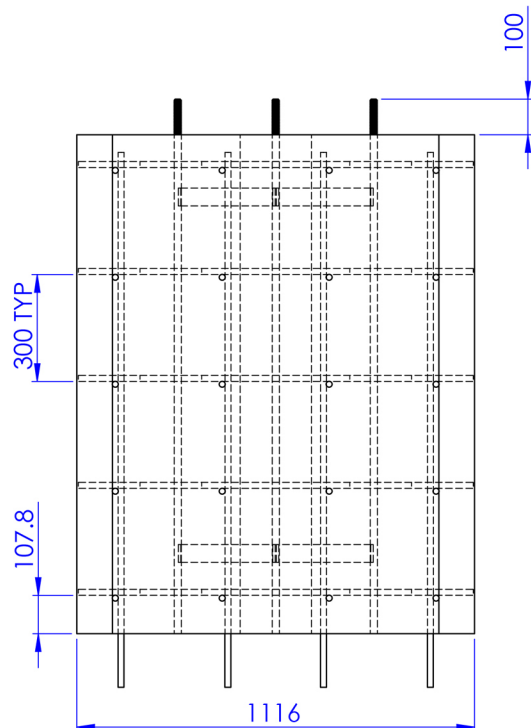
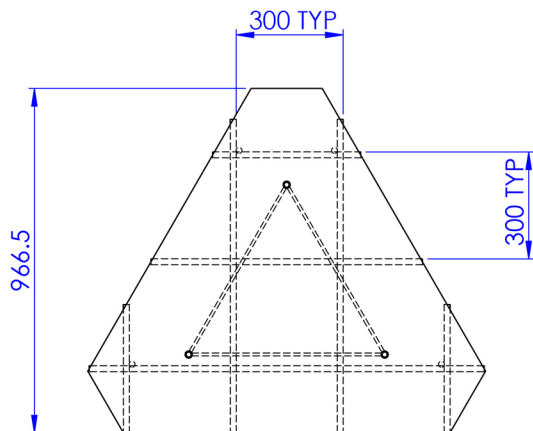
REINFORCED PLINTH SCHEMATIC FOR USE WITH 450 SERIES MIRO MASTS GREATER THAN 30 METERS IN HEIGHT AND IN NORMAL SOIL CONDITIONS ONLY. NOT AUTHORISED FOR USE WITH OTHER MASTS AND NOT RECOMMENDED FOR OTHER SOIL CONDITIONS. ALL RIGHTS RESERVED

CL SUMMARY	
PROJECT	
JOB	
A.E.	
DESIGNER	
DATE	24 January 2013 10:29:40 AM
SHEET	1 OF 3
DESCRIPTION	
DRAWING No	450PL Plinth



**REBAR CUT LIST - \varnothing 16mm STRAIGHT CUT
TOTAL WEIGHT = 51kg**

ITEM NO.	QTY.	LENGTH
1	10	360.29
2	10	879.9
3	5	1108.29
4	5	761.88
5	5	415.47
6	4	1500



High tensile rod welded together with steel bar and threaded to M20

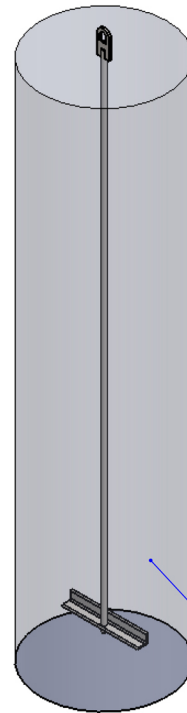
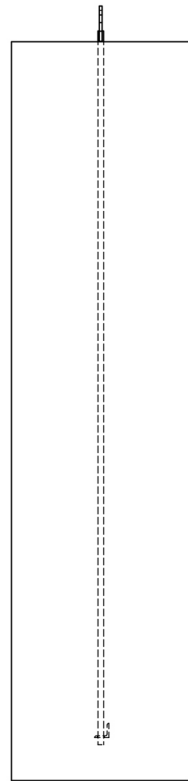
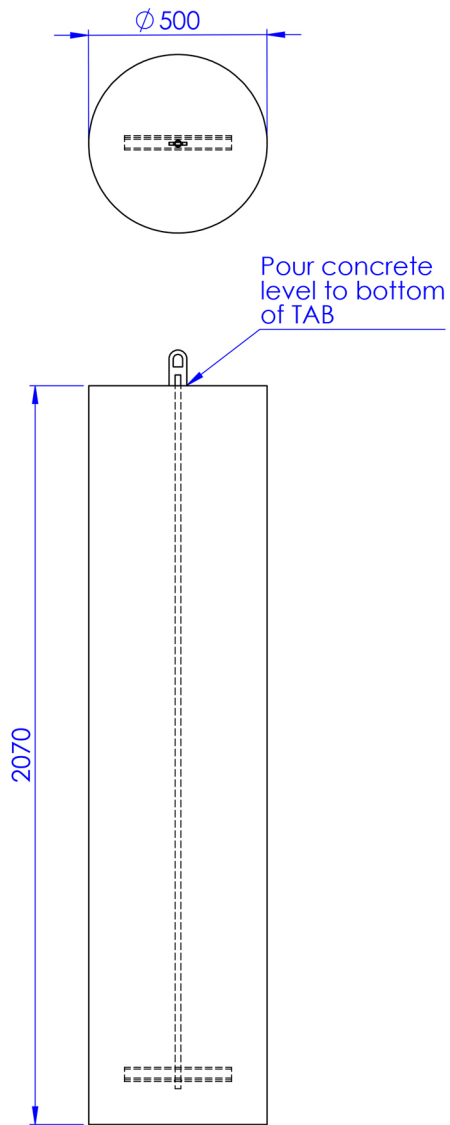
450PL CASTING CAGE

Ready mixed concrete
25MPA
1 cubic meter

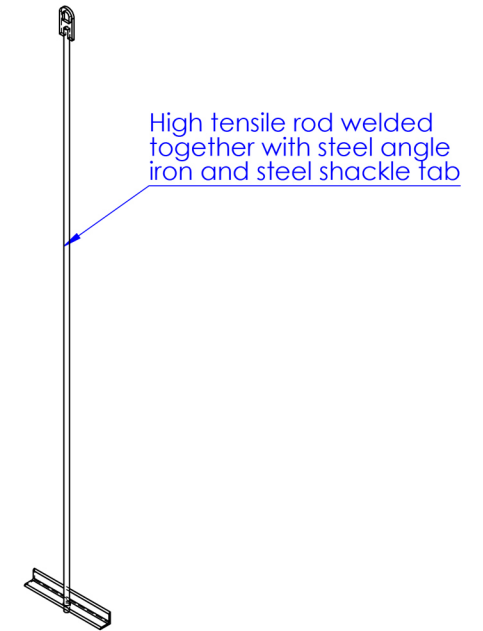
**REINFORCED PLINTH SCHEMATIC FOR USE WITH 450 SERIES MIRO MASTS GREATER THAN 30 METERS IN HEIGHT AND IN NORMAL SOIL CONDITIONS ONLY.
NOT AUTHORISED FOR USE WITH OTHER MASTS AND NOT RECOMMENDED FOR OTHER SOIL CONDITIONS. ALL RIGHTS RESERVED**

CL SUMMARY	
PROJECT	
JOB	
A.E.	
DESIGNER	
DATE	24 January 2013 10:29:40 AM
SHEET	2 OF 3
DESCRIPTION	
DRAWING No	450PL Plinth





Ready mixed concrete
25MPa
0.41 cubic meter



**450PL CASTING
GUY ANCHOR**

**REINFORCED PLINTH SCHEMATIC FOR USE WITH 450 SERIES MIRO MASTS GREATER THAN 30 METERS IN HEIGHT AND IN NORMAL SOIL CONDITIONS ONLY.
NOT AUTHORISED FOR USE WITH OTHER MASTS AND NOT RECOMMENDED FOR OTHER SOIL CONDITIONS. ALL RIGHTS RESERVED**

THIS DRAWING IS THE PROPERTY OF MIRO, SAMRAND, SOUTH AFRICA. IT SHALL NOT, EXCEPT UPON PRIOR WRITTEN PERMISSION OF THE AFORE MENTIONED, BE USED FOR ANY PURPOSE EXCEPT THE MANUFACTURE OF ARTICLES FOR MIRO. DRAWING TO BE RETURNED UPON REQUEST. PATENTS AND ALL INDUSTRIAL RIGHTS RESERVED.

CL SUMMARY

PROJECT	
JOB	
A.E.	
DESIGNER	
DATE	24 January 2013 10:29:40 AM
SHEET	3 OF 3
DESCRIPTION	
DRAWING No.	450PL Casting Guy Anchor

MiRO