

# Network Video Recorder

NVR302-09/16S2



## Key Features

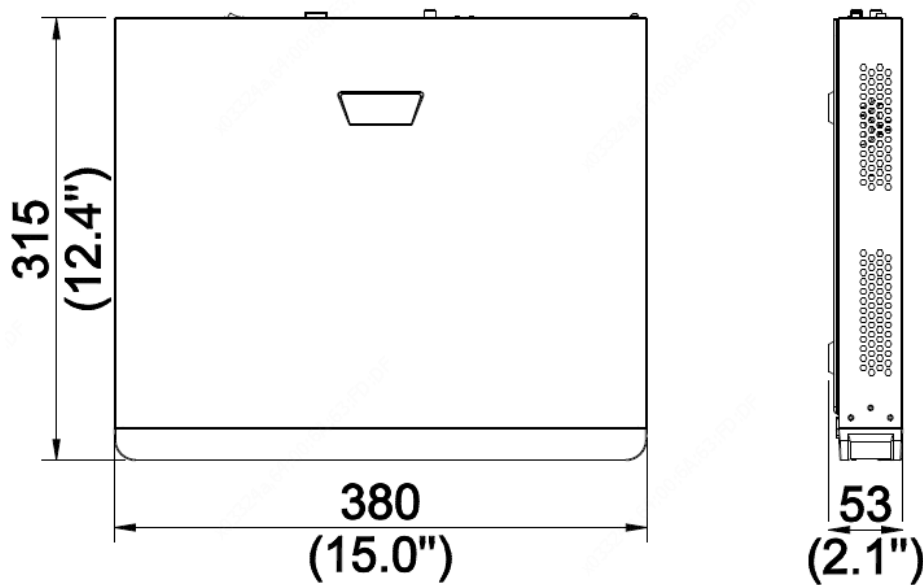
- Support Ultra265/H.265/H.264 video formats
- 9/16-channel input
- Third-party IP cameras supported with ONVIF conformance: Profile S, Profile G, Profile T
- HDMI and VGA simultaneous output
- Up to 8 Megapixels resolution recording
- 2 SATA HDDs, up to 6TB for each HDD
- ANR technology to enhance the storage reliability when the network is disconnected
- Support cloud upgrade

## Specifications

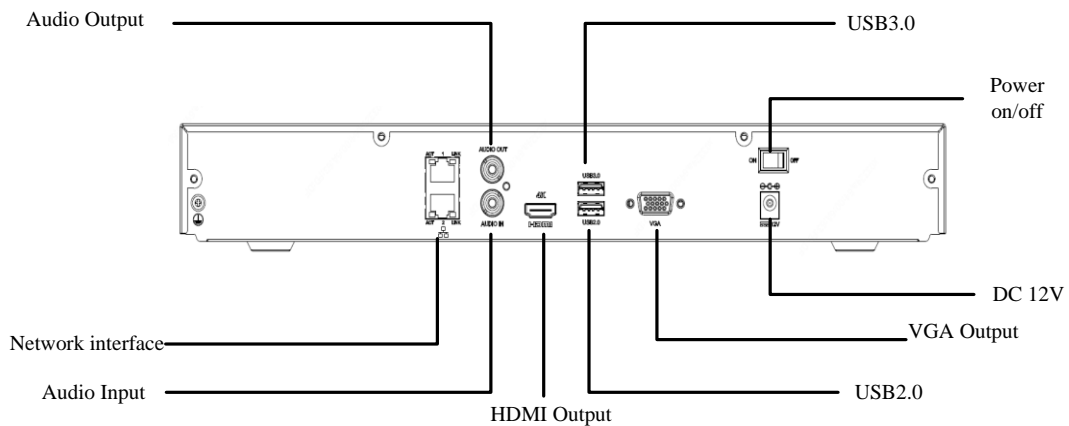
Model	NVR302-09S2	NVR302-16S2
<b>Video/Audio Input</b>		
IP Video Input	9-ch	16-ch
Two-way Audio Input	1-ch, RCA	
<b>Network</b>		
Incoming bandwidth	160Mbps	
Outgoing bandwidth	64Mbps	
Remote Users	128	
Protocols	P2P, UPnP, NTP, DHCP, PPPoE	
<b>Video/Audio Output</b>		
HDMI/VGA Output	HDMI: 4K (3840x2160)@30, 1920x1080p@60, 1920x1080p@50, 1600x1200@60, 1280x1024@60, 1280x720@60, 1024x768@60 VGA: 1920x1080p@60, 1920x1080p@50, 1280x1024@60, 1280x720@60, 1024x768@60	
Audio Output	1-ch, RCA	
Recording Resolution	8MP/6MP/5MP/4MP/3MP/1080p/960p/720p/D1/2CIF/CIF	
Synchronous Playback	9-ch	16-ch
Corridor Mode Screen	3/4/5/7/9	3/4/5/7/9/10/12/16
<b>Decoding</b>		
Decoding format	Ultra265/H.265/H.264	
Live view/Playback	8MP/6MP/5MP/4MP/3MP/1080p/960p/720p/D1/2CIF/CIF	
Capability	2 x 4K@30, 3 x 5MP@30, 4 x 4MP@30, 5 x 3MP@30, 8 x 1080p@30, 9 x 1080p@25	2 x 4K@30, 3 x 5MP@30, 4 x 4MP@30, 5 x 3MP@30, 8 x 1080p@30, 16 x 720p@30
<b>Hard Disk</b>		
SATA	2 SATA interfaces	
Capacity	up to 6TB for each disk	
<b>Smart</b>		
VCA Detection	Face detection, Intrusion detection, Cross line detection, Audio detection, Defocus detection, Scene change detection, Auto tracking	
VCA Search	Face search, Behavior search	
Statistical Analysis	People counting	
<b>External Interface</b>		
Network Interface	2 RJ-45 10M/100M/1000M self-adaptive Ethernet Interface	
USB Interface	Rear panel: 1 x USB2.0, 1 x USB3.0 Front panel: 1 x USB2.0	
<b>General</b>		

Power Supply	12V DC Power Consumption: ≤ 15 W (without HDD)
Working Environment	-10°C~+ 55°C (+14°F~+131°F), Humidity ≤ 90% RH (non-condensing)
Dimensions (W×D×H)	380mm × 315mm ×53mm (15.0" × 12.4" ×2.1")
Weight (without HDD)	≤ 0.98Kg (2.16lb)

## Dimensions



## Rear Panel



**Zhejiang Uniview Technologies Co., Ltd.**

Building No.10, Wanlun Science Park, Jiangling Road 88, Binjiang District, Hangzhou, Zhejiang, China

Email: [overseasbusiness@uniview.com](mailto:overseasbusiness@uniview.com); [globalsupport@uniview.com](mailto:globalsupport@uniview.com)



<http://www.uniview.com>

©2020 Zhejiang Uniview Technologies Co., Ltd. All rights reserved.

\* Product specifications and availability are subject to change without notice.