

# THE DUOLINE SERIES

## POE+ Injector and Surge Protection

### Features

- Automatically supplies a PoE+ (30 Watts) or PoE (15 Watts) connection to the device.
- Support Gigabit network (1000Base-T)
- Plug-and-Play: No configuration required
- Short Circuit, Over Current and Over Voltage Full Protection
- Reduce installation and network equipment costs

Protects fast ethernet LAN and POE equipment such as hubs, switches and network interface cards from induced lightning and electrostatic discharge.

Compatible with most gigabit IP camera, IP phone, Wireless IP point and other PoE devices.

12-00720

rev0



\*Specifications subject to change without prior notice due to continuous improvements

### Specifications

#### Power Surge Protection

Nom. Input Voltage	230VAC 50Hz
Output Voltage	48V DC
Output Current	800mA
Max. Discharge Current	2.5kA L-N, L-E, N-E (8/20us)
Residual Voltage	<900V
Response Time	<25ns

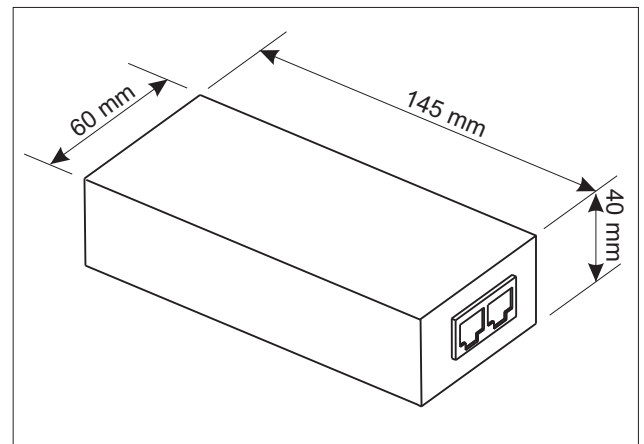
#### Network/Dataline Surge Protection

Hi-Pot (Pri to Sec) isolation	1500 Vrms, 1 mA, 60 seconds
Technology Supported	Cat5e
Data Speed Supported	1000 MBit/s
Pairs Protected (Data)	1-2, 3-6, 4-5, 7-8
Pairs Protected (POE+)	1-2, 3-6, 4-5, 7-8

#### Other

Indication	LED
Temperature Range	-20°C to +70°C
Standard Compliance	IEC 164-1, 61643-1, IEEE 802.3u/ab/af/at
Lead Length	1x 1.0m RJ11-RJ11 Cable
Dimensions	145x60x40mm
Weight	0.365kg

### Dimensions



### Supplied with:

- RJ45 Cable (Cat5e)
- IEC Power Cord