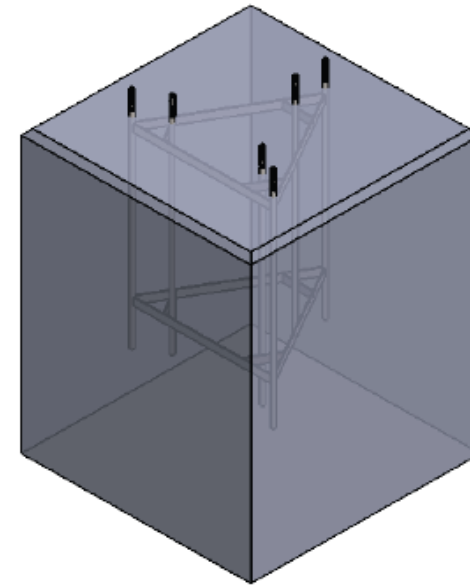
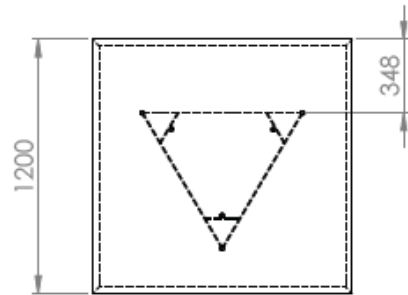
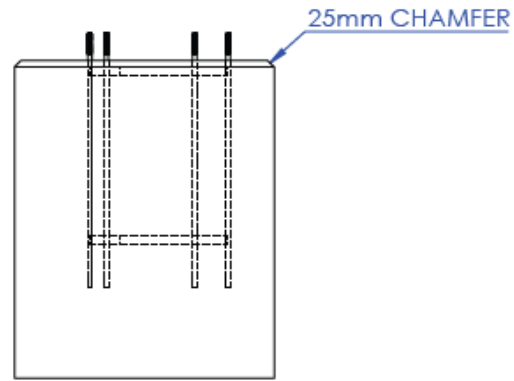
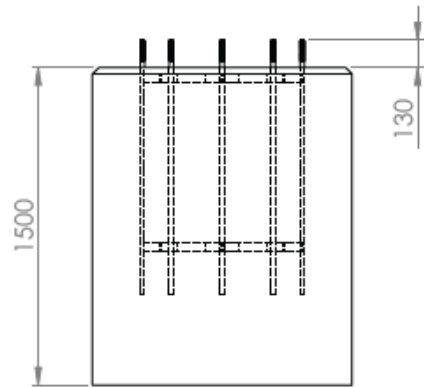
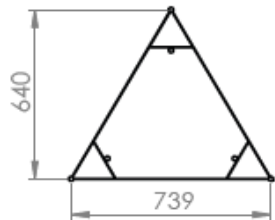


CL SUMMARY	
PROJECT	GENERAL
Client	N/A
A.E.	N/A
DESIGNER	DEREK
DATE	2019-04-01
SHEET	1 OF 24
DESCRIPTION	600PL-2 GENERAL INFORMATION
DRAWING No	600PL-2 MAST ASSEMBLY

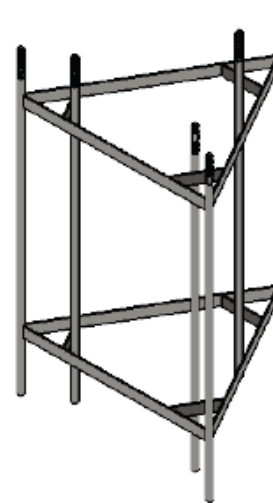
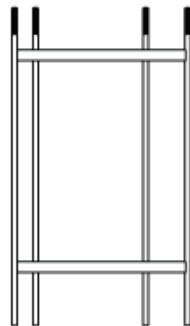
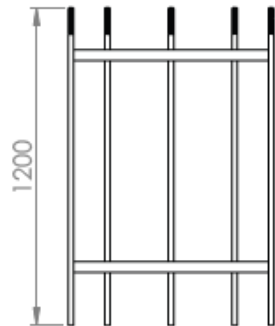


- 600PL TOWER FOUNDATION
- 1 PER TOWER
- CONCRETE VOLUME = 2.2m<sup>3</sup> @ 25MPA
- 100mm SUB-BASE LAYER RECOMMENDED

**FOR USE WITH FREE-STANDING TOWERS FROM 3M TO 18M HEIGHT**



- 600PL CASTING CAGE
- M20 FOUNDATION ANCHOR SYSTEM
- 1 PER TOWER
- MASS = 26Kg



CL SUMMARY	
PROJECT	GENERAL
Client	N/A
A.E.	N/A
DESIGNER	DEREK
DATE	2019-04-01
SHEET	2 OF 24
DESCRIPTION	600PL-2 FREE-S FOUNDATION
DRAWING No	600PL-2 Tower Foundation

JIN POLE LOCKING  
BRACKET WITH PINS  
2ND HORIZONTAL FROM TOP

DETAIL H  
SCALE 1 : 2

DETAIL J  
SCALE 1 : 5

ROPE THROUGH PULLEY  
AND DOWN THE PIPE

DETAIL I  
SCALE 1 : 5

JIN POLE BASE SUPPORT  
6TH HORIZONTAL FROM TOP

DETAIL G  
SCALE 1 : 5

DETAIL F  
SCALE 1 : 5

PULL

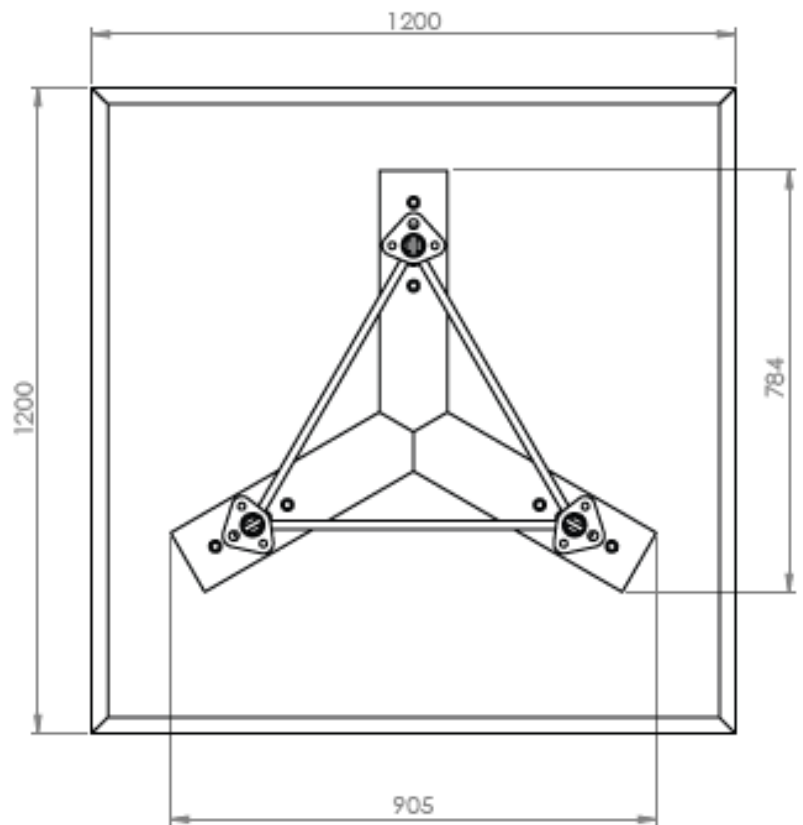
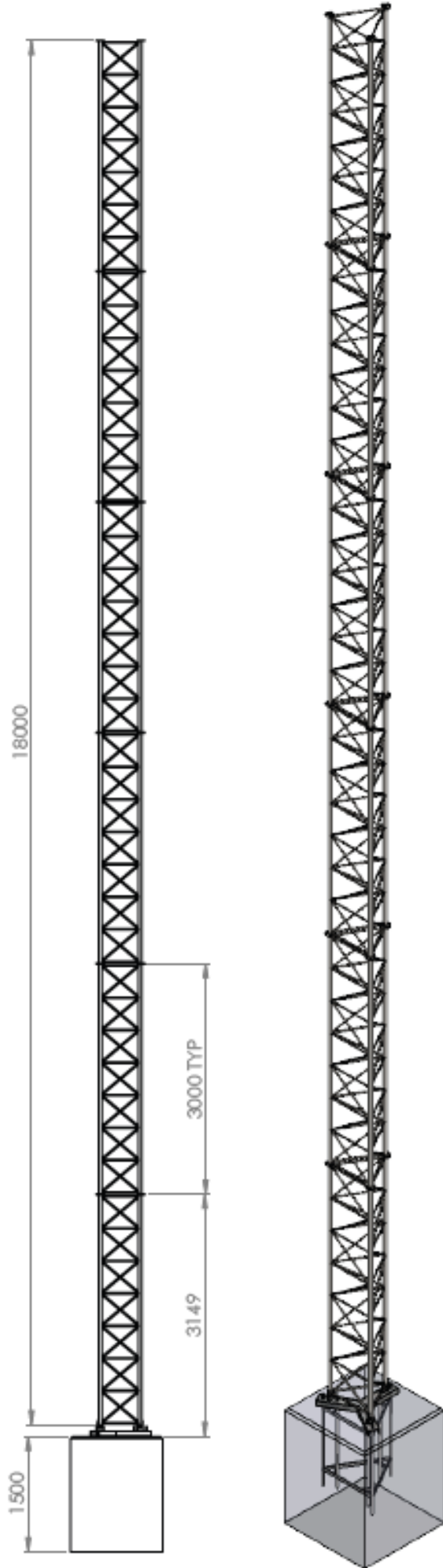
ROPE THROUGH PULLEY  
AND AWAY FROM TOWER.  
RIGGING STRAP TO PULLEY  
AT TOWER BASE

CL SUMMARY	
PROJECT	GENERAL
Client	N/A
A.E.	N/A
DESIGNER	DBRBC
DATE	2019-04-01
SHEET	6 OF 24
DESCRIPTION	600PL-2 VERTICAL RIGGING
DRAWING No.	600PL-2 MAST ASSEMBLY

THIS DRAWING IS THE PROPERTY OF COASTAL COMMUNICATION TOWERS (PTY) LTD., CAPE TOWN, SOUTH AFRICA. IT SHALL NOT, EXCEPT UPON PRIOR WRITTEN PERMISSION OF THE AFORE MENTIONED, BE USED FOR ANY PURPOSE EXCEPT THE MANUFACTURE OF ARTICLES FOR COASTAL COMMUNICATION TOWERS (PTY) LTD. DRAWING TO BE RETURNED UPON REQUEST. PATENTS AND ALL INDUSTRIAL RIGHTS RESERVED.

**MiRO**  
a member of the **ANDRISO** group

- 600PL 18 METER TOWER
- 3 METER MODULAR SECTIONS
- K-BRACE CONFIGURATION
- STANDARD FOUNDATION
- MAX. WIND LOADING = 1.5m2



**CL SUMMARY**

PROJECT	GENERAL
Client	N/A
A.E.	N/A
DESIGNER	DEREK
DATE	2019-04-01
SHEET	17 OF 24
DESCRIPTION	600PL 18M FREE-STANDING
DRAWING No.	600PL-2 MAST ASSEMBLY

