

## General Description

This box is a compact fiber terminal for use at the final fiber termination point in the customer premises. It provides mechanical protection and managed fiber control in an attractive format suitable for use inside customer premises, A variety of possible fiber termination techniques are accommodated



## Description

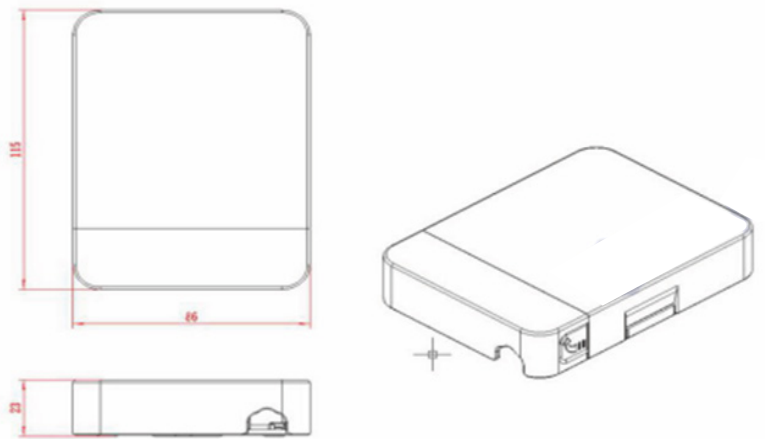
- Suitable for many types of modules, used in cabling work area subsystem.
- Embedded type surface, easy for installation and removal.
- Available for fiber optic SC simplex or LC duplex and can be used in both surface mounted installation and concealed panel installation.

## Features

- Nice shape and structure
- Splicing to factory-terminated pigtails
- Protects and manages cable effectively
- Attractive design for indoor use
- Easy to operate
- Splice cable to cable
- Positive fiber management
- Standard size, light weight
- High quality ABS material
- Can be wall mounted

## Dimensions & Installation Dimensions

115mm x 86mm x 23mm



## Application

- Telecommunication subscriber loop
- LAN/WAN
- Fiber to the home (FTTH)

