

# POE Smart PowerBank

Designed for Wireless bridge/Router/ AP/Camera/Cellphone etc.



## Specifications

Size : 135\*100\*43mm

Weight : 0.6kg

Battery capacity : Li-Ion 7500mAh 12.6V/94.5Wh Working temperature :  
-10° C to 60° C

### Input :

Input voltage: 12.6V Input

electric current : 2A

Charging period : 4h

### Output:

USB: 5V/3A

DC: 12V/2A

POE : 24V/1 A

IEEE802.3AF/AT 10/100/1000Mbps



## Product features

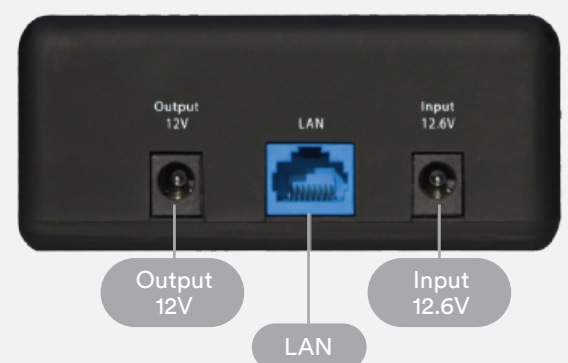
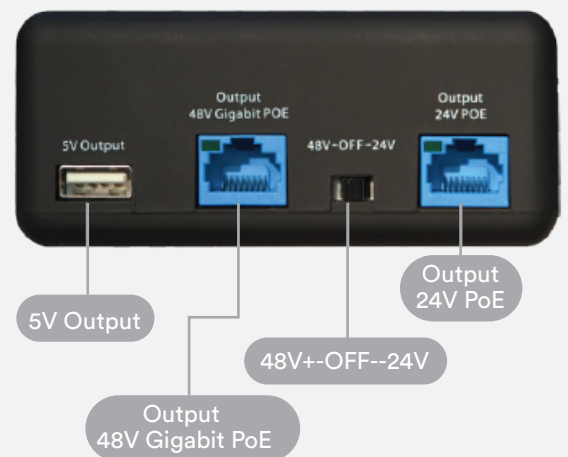
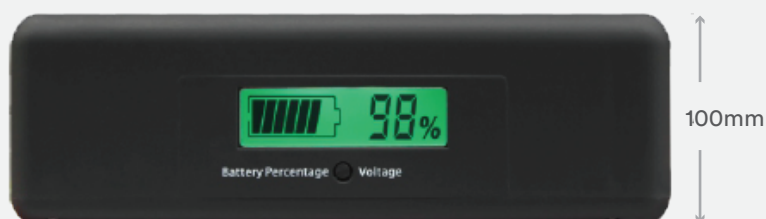
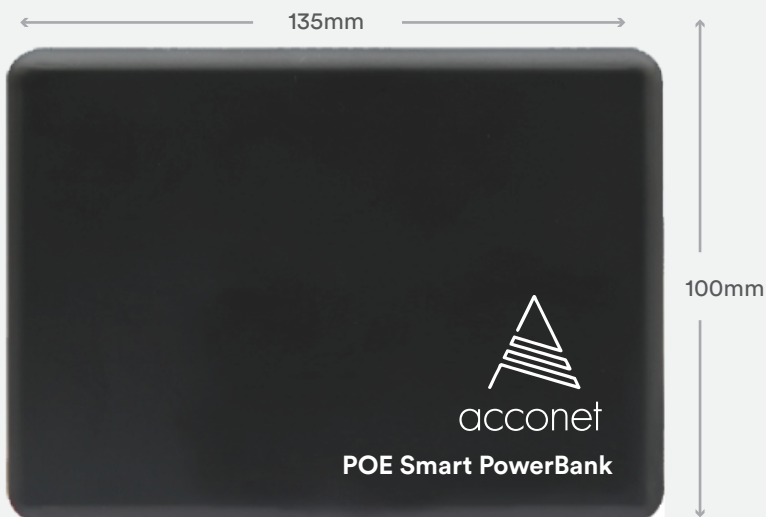
Battery life: At full load (10W) the minimum battery life is 12 hours.

Battery status display: Monitor battery charge levels on the backlit LCD display

Output Interface: USB/DC/POE can power devices simultaneously.

Compatibility: Support Cellphone, laptop, camera, wireless bridge, AP, Router etc.

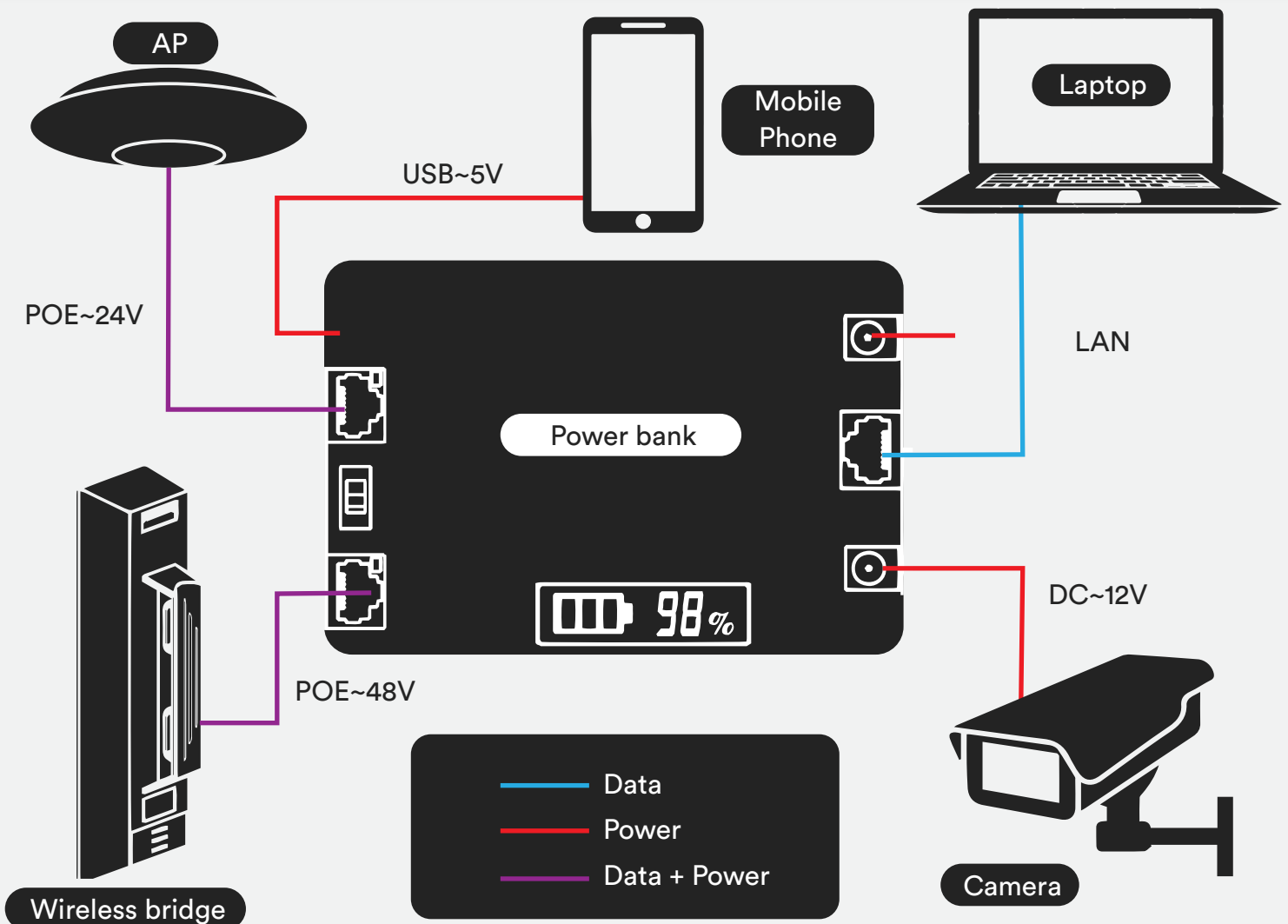
Safety: Overcharge, over current and short-circuit protection.



## User Guide

1. Check the battery percentage on the display screen before use. If there is no power, please charge it with the standard 12.6 DC adapter.
2. When using the 12V output, please use the cable directly.
3. When charging with USB 2.0, please turn the switch to 24V or 48V for 5V output.
4. When using 24V PoE output to power a product, please turn the switch to 24V, and connect the product network cable to the 24V output. The LAN port is connected to the computer with the network cable. 12V output and USB can be used at the same time.
5. When using the 48V output to power the product, please turn the switch to 48V, and connect the product by network cable to 48V output. The LAN port is connected to the computer with a network cable. 12V output and USB can be used at the same time.

## Using Instructions



## Remarks

1. When the 12.6V DC adapter is plugged into the 12V output port for a long time, don't worry, the product will not damage. The charging is invalid. You need to re-plug the output port to charge.
2. The 24V PoE output network port is a 100Mbps network port. The 48V PoE output network port is a Gigabit Ethernet port.
3. When the 24V output network port or 48V output network light is on, please turn the toggle switch back to the OFF position.
4. When the display screen shows voltage, press the button to switch back to the battery percentage.

Application

