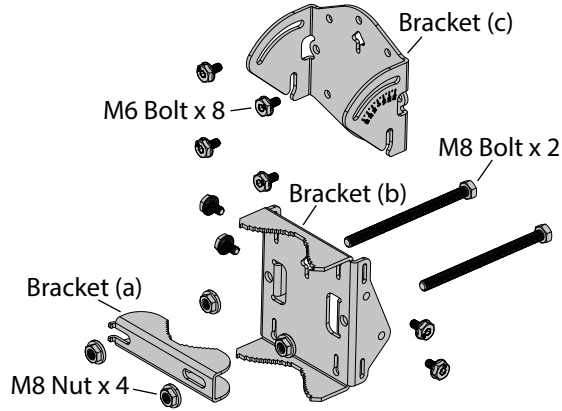
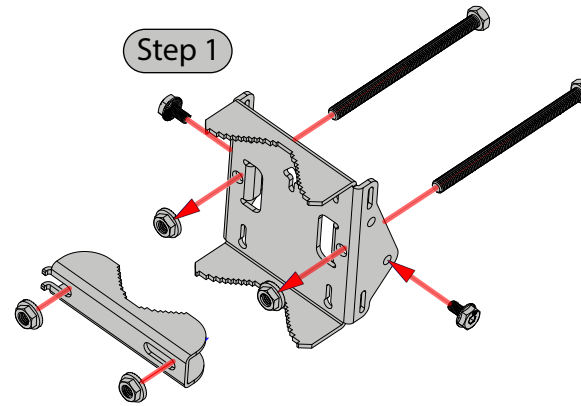


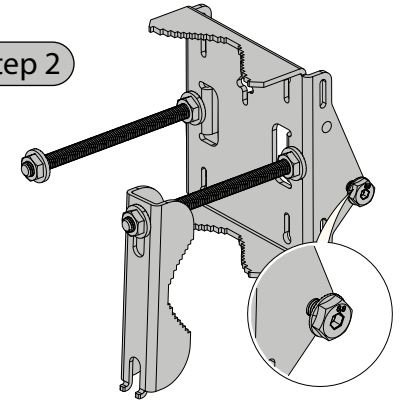
**LOW PROFILE
TILTING BRACKET**



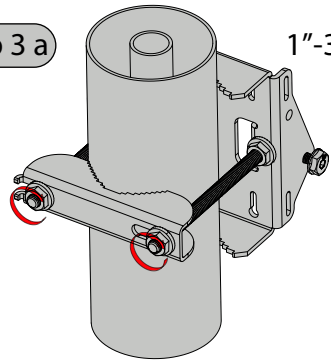
Step 1



Step 2

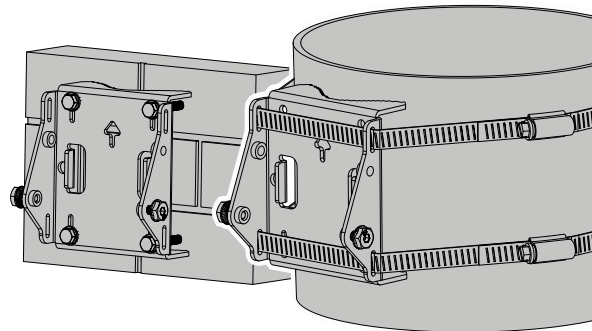


Step 3 a



1"-3" Pole

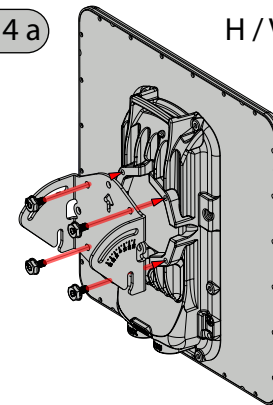
Step 3 b / c



Wall 3.5" - 9" Pole

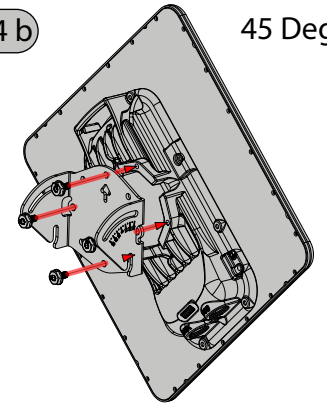
13mm A/F @ 10Nm x 2

Step 4 a



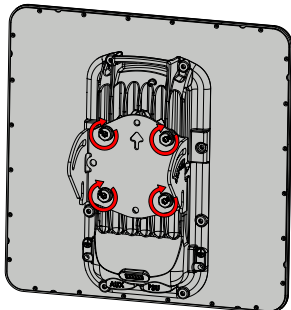
H / V

Step 4 b

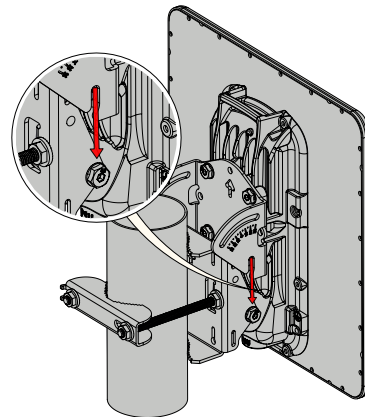


45 Deg

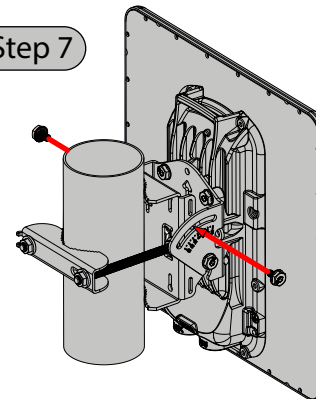
Step 5



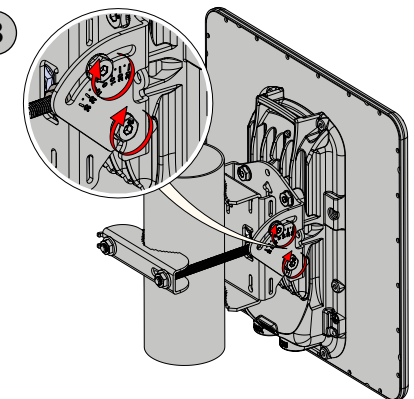
Step 6



Step 7



Step 8



13mm A/F @ 5Nm x 4

13mm A/F @ 5Nm x 4