

General Description

This box is used as a termination point for the feeder cable to connect with drop cable in FTTx communication network system. It integrates fiber splicing, splitting, distribution, storage and cable connection in one unit. Meanwhile, it provides solid protection and management for the FTTx network building.

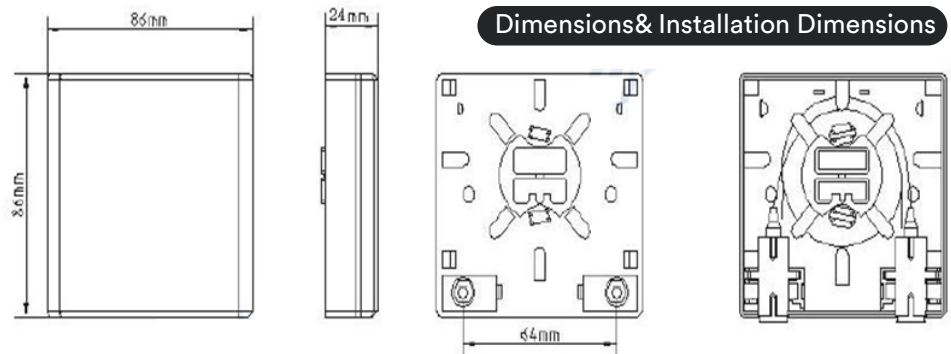


Features

- Total enclosed structure, be in nice shape
- Protects and manages cable effectively
- Secured with anti-theft locking mechanism
- Standard size, light weight
- High quality ABS material
- Clamping for feeder cable and drop cable, fiber splicing, fixation, storage distribution...etc all in one
- Suitable for SC and LC duplex adaptor and pigtail
- Easy to operate
- Suitable for indoor use
- Good properties of dust, and moisture proofing

Application

- Telecommunication subscriber loop
- LAN/WAN
- Fiber to the home (FTTH)



Item	Parameter
del No.	AC-FIB-TERM-2
mounting way	Wall-mounting, Desktop
work Temperature	-40 °C ~+85 °C
relative Humidity	≤ 85% (+30 °C)
atmospheric pressure	70Kpa~106Kpa
insertion Loss	≤ 0.2dB
Return Loss	≥ 50dB
Return Loss	≥ 60dB
insertion and Pull-out	≥ 1000 times
isolation	The grounding device is insulated with the Termination box, IR ≥1000mΩ/500V (Direct current)
withstand Voltage	Between the grounding device and the box body, the withstand voltage is over 3000V/Min, no breakdown and flashover. U ≥3000V (direct current)
Dimensions	

Number	Detail	Quantity
1	Mounting screws M4*20mm	2pcs