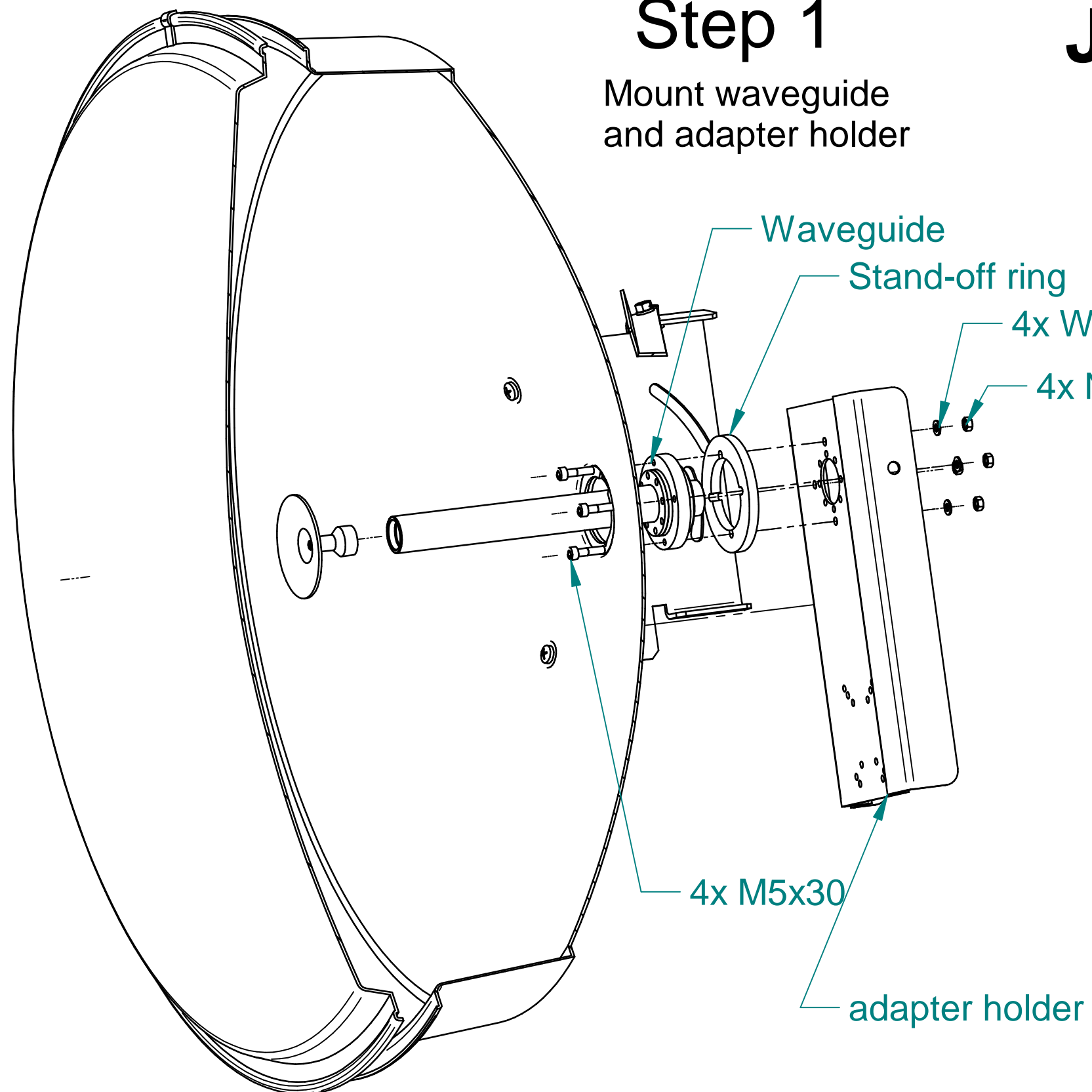


# JXE-AF11

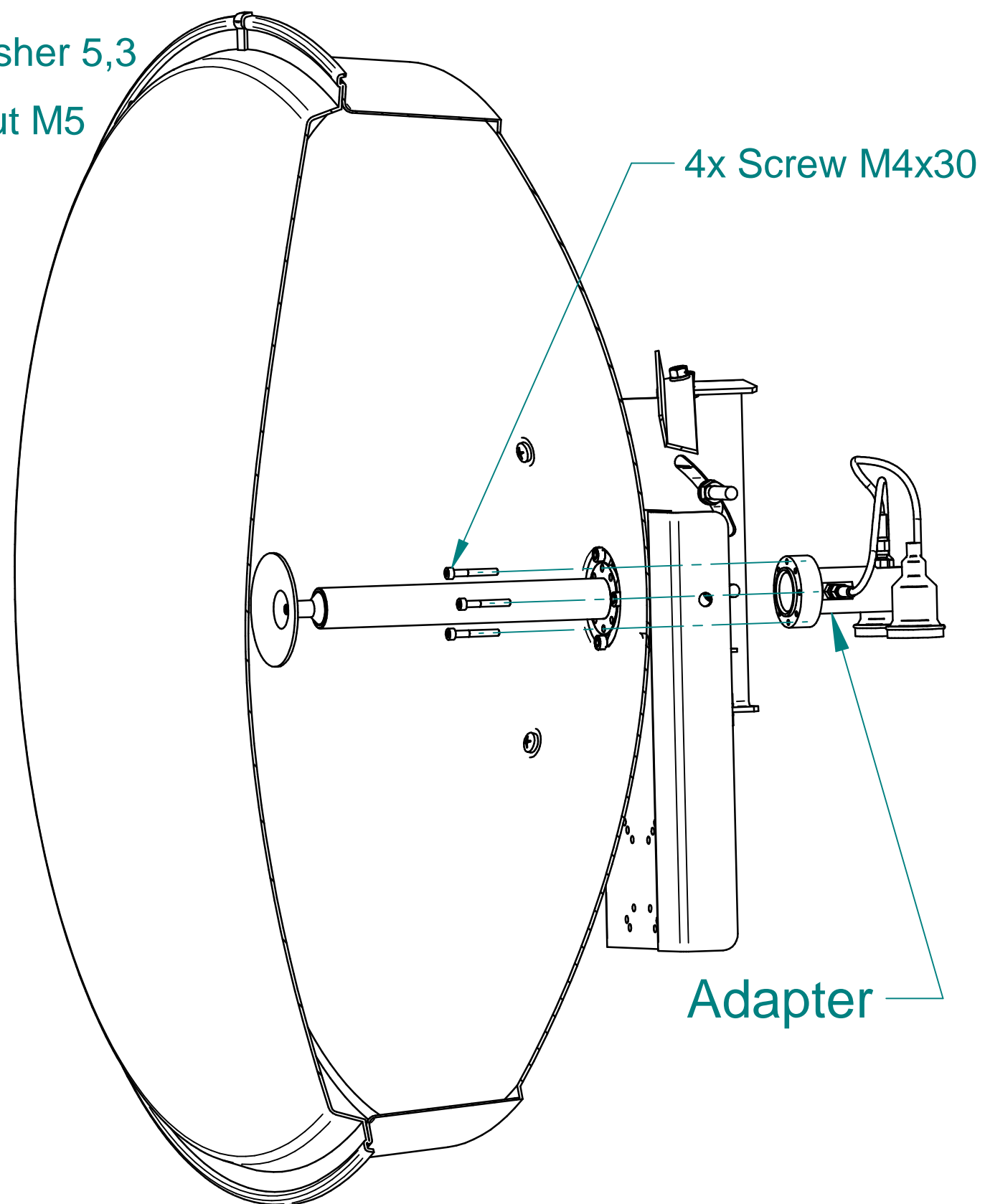
## Step 1

Mount waveguide and adapter holder



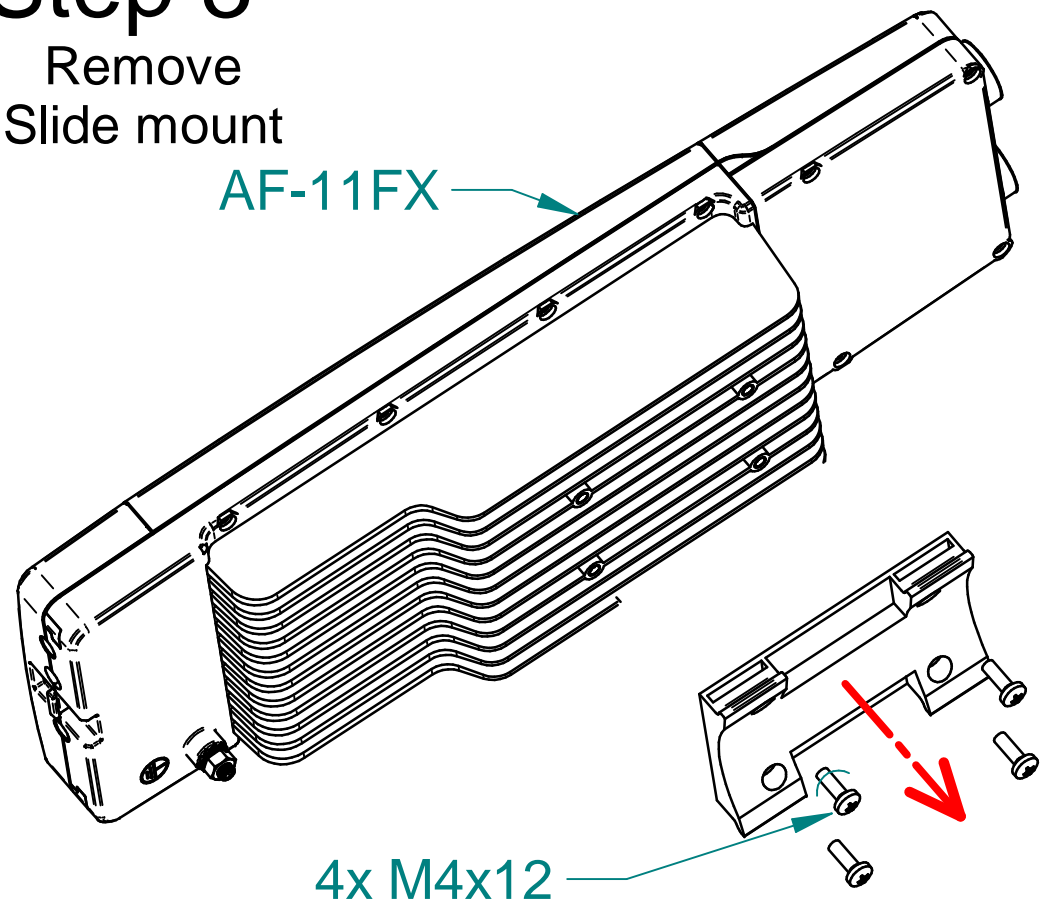
## Step 2

Mount Adapter



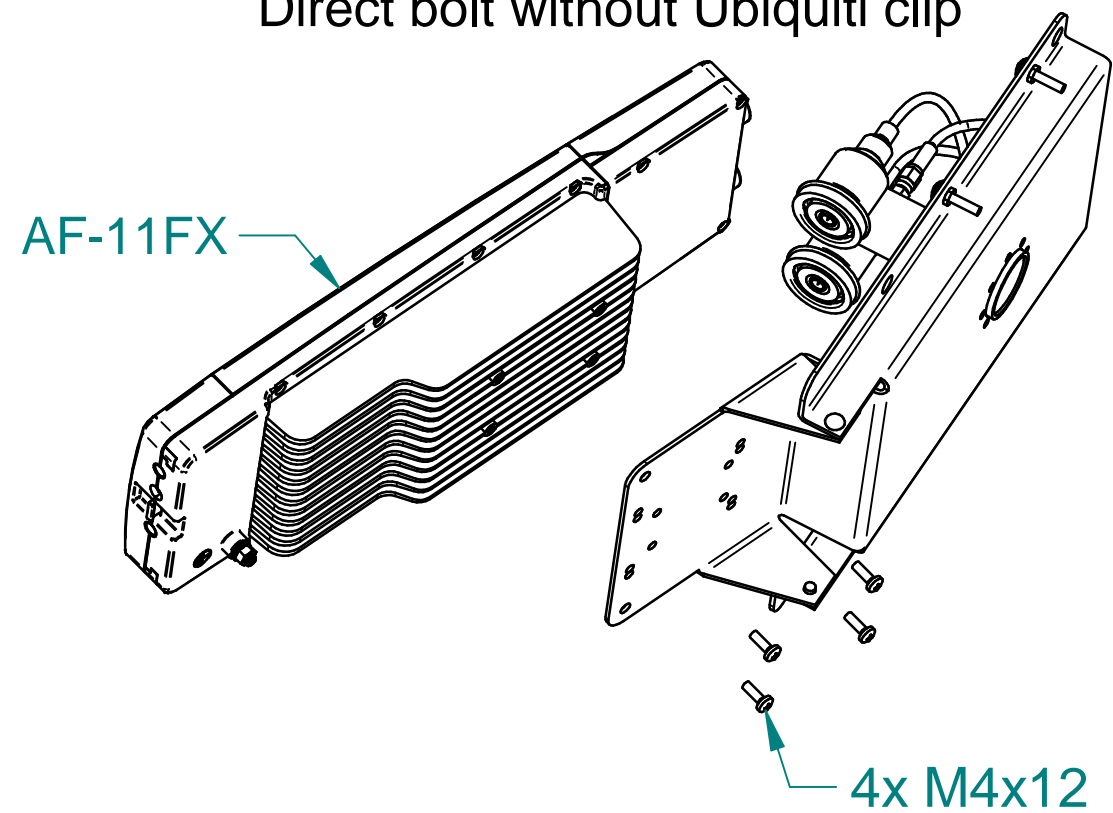
### Step 3

Remove  
Slide mount



### Step 4

Direct bolt without Ubiquiti clip



### Step 5

Attach connectors  
and silicon boots

