



*Innovative Electronics for a changing world*

Manual



## **AB80 DC 10-30VDC / LED Mast light**

**10-30VDC supply power**

Lifetime outdoor aviation approved die-cast Alluminium and tempered glass housing.

Waterproof and UV resistant

Stainless steel cable between reflector and bottom housing to keep reflector from falling

Red led lamp cartridge

**Supply voltage: 10-30 VDC** with polarity protection – **120milli-Amp (0.12Amp)** current limit circuit

Steady glow

Bottom 32mm threaded pipe entry

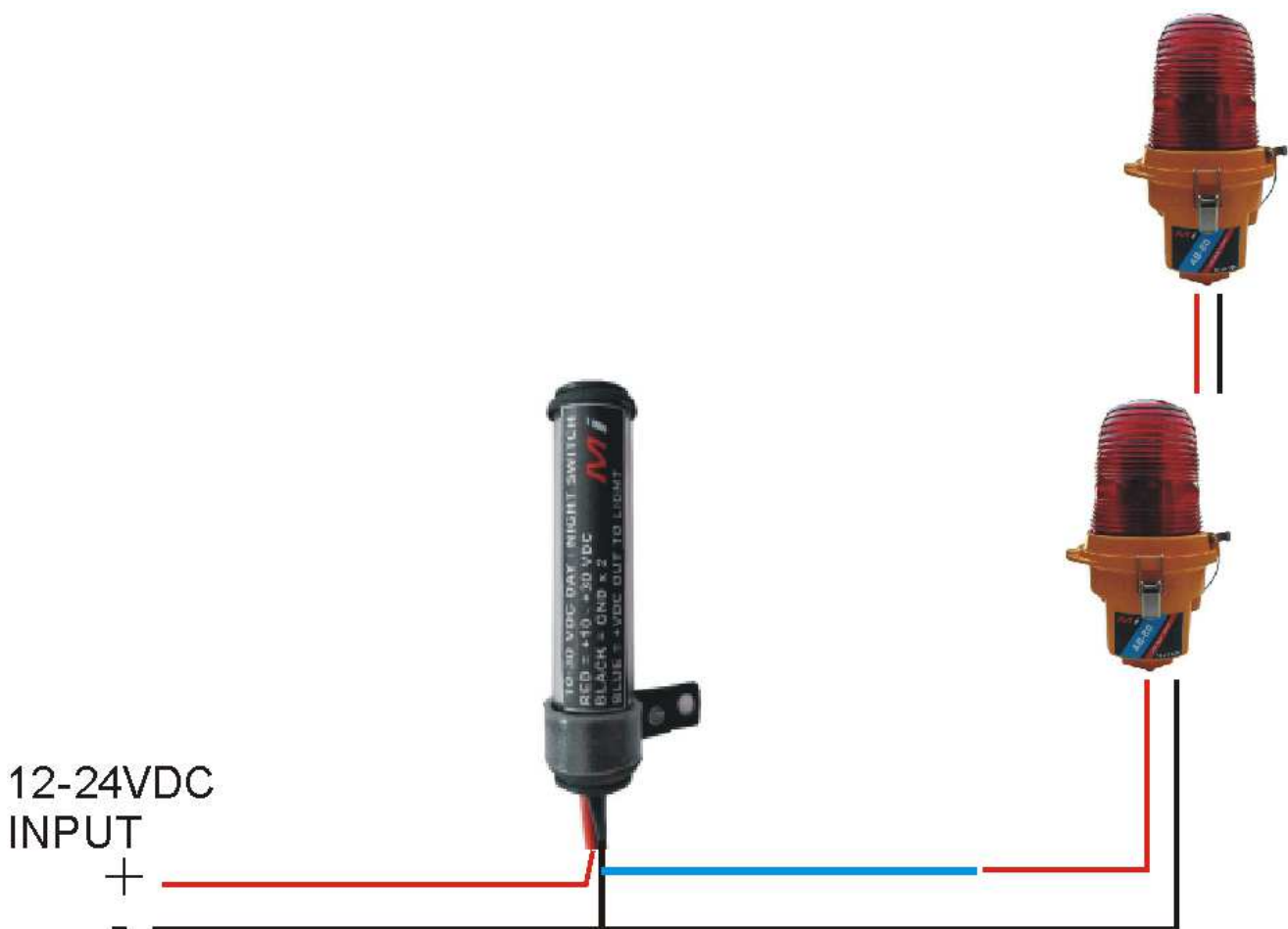
**Optional day / night switch available**

**Connections on page 2 ..... For DC 10-30V or 220VAC OPERATION**

## DC VOLTAGE OPERATION

**AB80 - 10-30VDC** requires a 10 to 30VDC power supply and can be used directly on 12V or 24V battery systems.

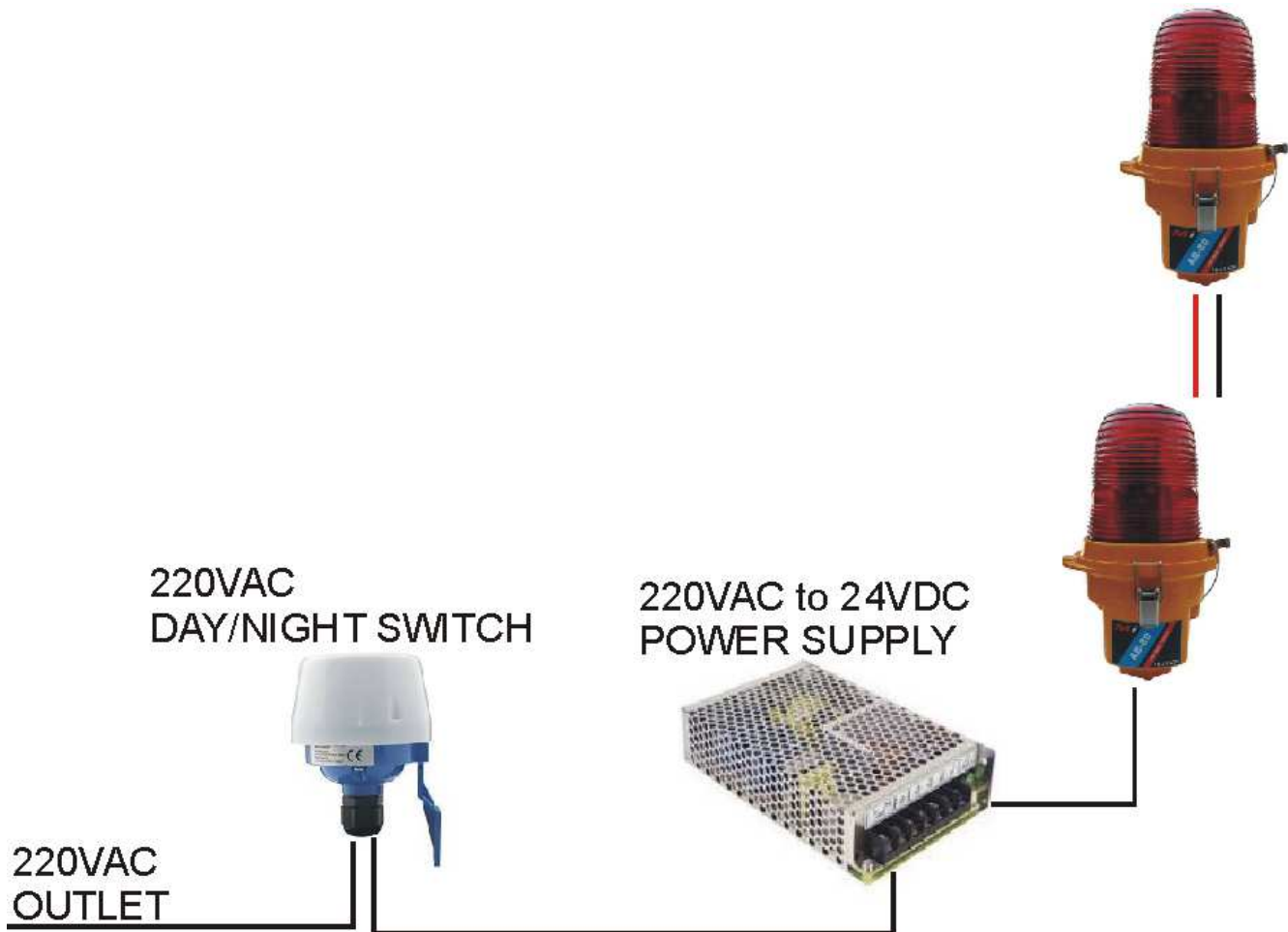
The AB-80 -10-30VDC can be controlled via the **optional** extra Micro instruments DC DAY NIGHT SWITCH which can be purchased separately.



The AB80- 10-30VDC light can also be connected directly to a 10-30VDC power source or battery bank but will drain power in day-time as well without using the day/night switch that might be undesirable for battery backup systems.

## 220VAC OPERATION

AB80- 10-30VDC – how to operate on **220VAC**



Power supply should be able to supply 0.2 Amps (200 milli- amps ) per light connected