

# UltraDish™ TP 27

## PARABOLIC DISH ANTENNA WITH TWISTPORT™ CONNECTOR

UltraDish™ TP 27 is designed for subscriber module applications. Minimized sidelobes, wide frequency bandwidth, and stable gain in both polarizations assure dependable performance. Antenna reflector is made of aluminium to ensure a low weight and uniform shape. Our proprietary TwistPort waveguide connector enables intuitive radio connection and replacement.

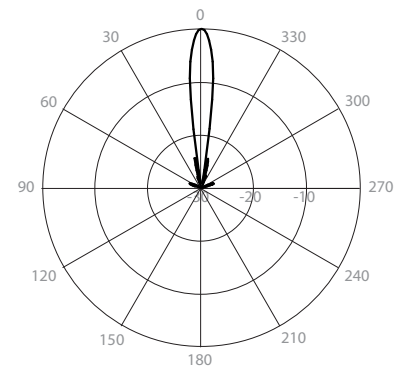
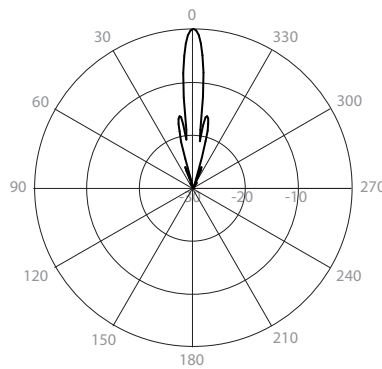
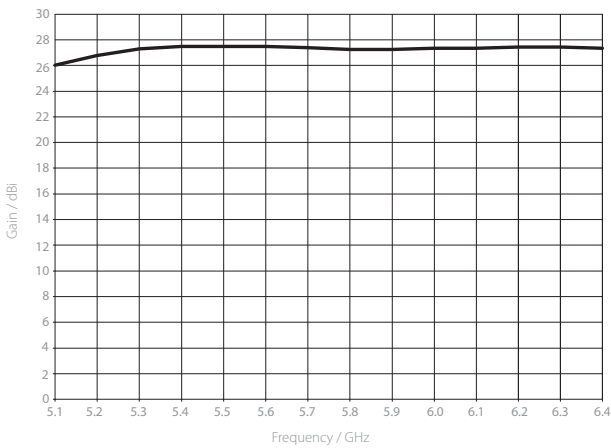
Massive mount with improved grip and a wide range of applicable pole diameters makes the deployment easy and versatile. Stainless hardware comes with black coating to prevent from seizing at the installation.



Gain H

Azimuth Pattern H

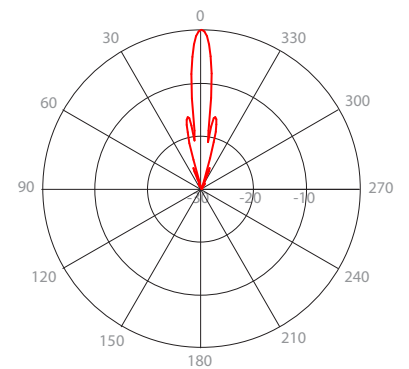
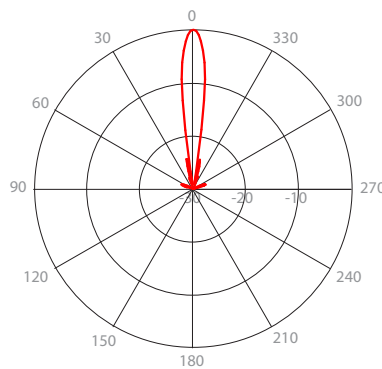
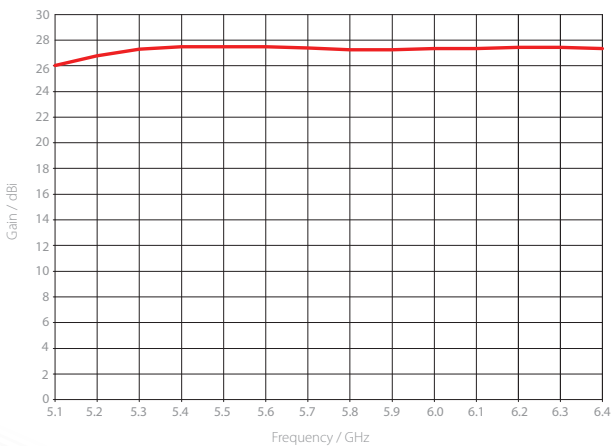
Elevation Pattern H



Gain V

Azimuth Pattern V

Elevation Pattern V



**PHYSICAL**

Antenna Connection	TwistPort™ - Quick Locking Waveguide Port
Antenna Type	Parabolic Dish
Materials	UV Resistant ABS Plastic, Polycarbonate, Aluminium, Stainless Steel
Environmental	IP65
Pole Mounting Diameter	40-80 mm (we recommend as close to 80mm as possible)
Temperature	-40 °C to +60 °C (-40°F to +140°F)
Wind Survival	160 km/hour
Wind Loading	314 N at 160 km/hour
Weight	3.7 Kg / 8 lbs – single unit (one antenna) 10.6 Kg / 23 lbs – 2PACK (2 units) incl. package
Dimensions	Retail Box 2PACK: 630 x 620 x 165 mm / 24.8 x 24.4 x 6.5 inch

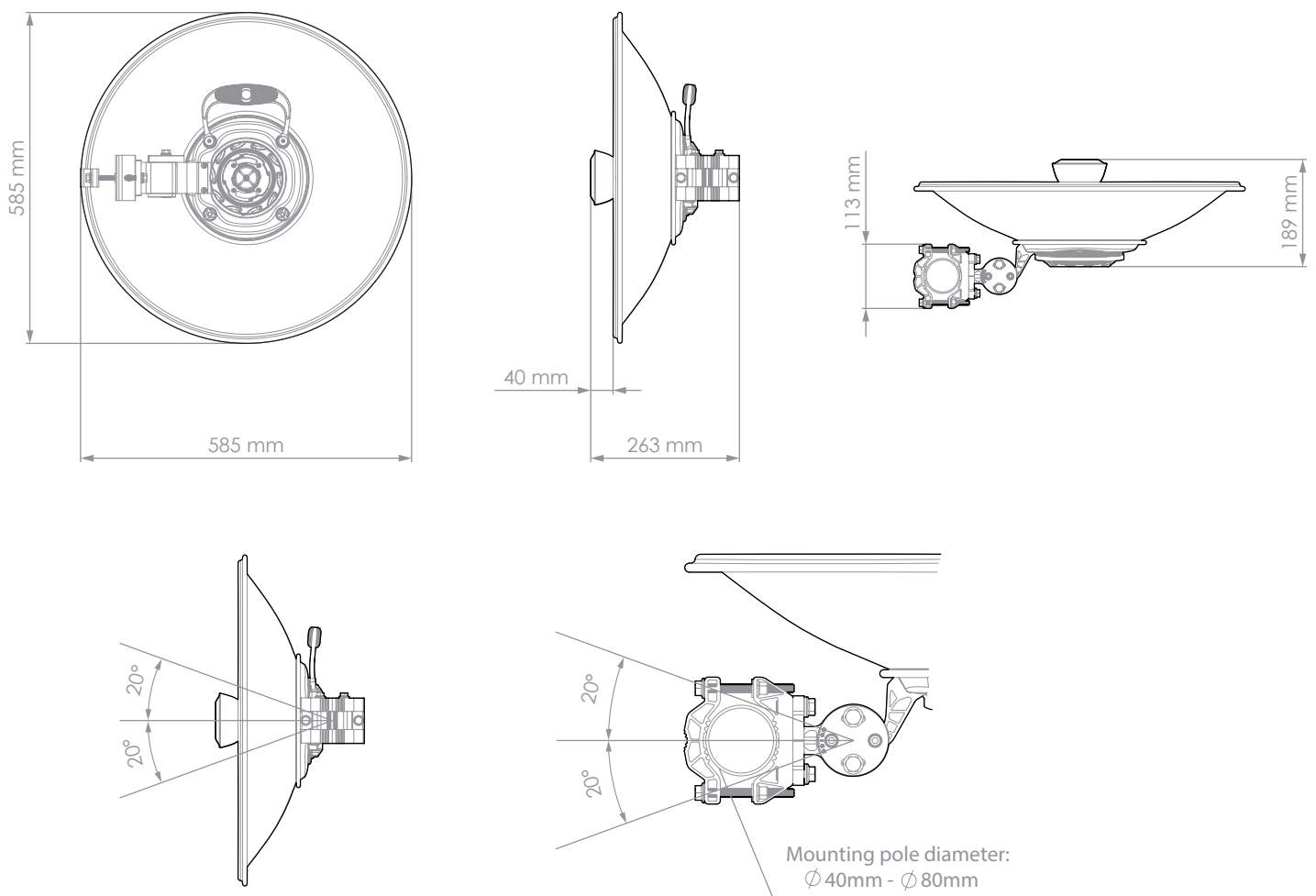
**PERFORMANCE**

Gain	27.5 dBi
Frequency Range	5180 - 6400 MHz
Azimuth Beam Width -6 dB	H 10° / V 9°
Elevation Beam Width -6 dB	H 9° / V 10°
Azimuth Beam Width -3 dB	H 7° / V 6°
Elevation Beam Width -3 dB	H 6° / V 7°
Beam Efficiency**	61%
Front-to-Back Ratio (Min)	37 dB

**COMPATIBLE WIRELESS PLATFORMS**

- any TwistPort™ Adaptor
- any SIMPER™ Radio

**PRODUCT DIMENSIONS**



\*\*Beam efficiency defined up to first null