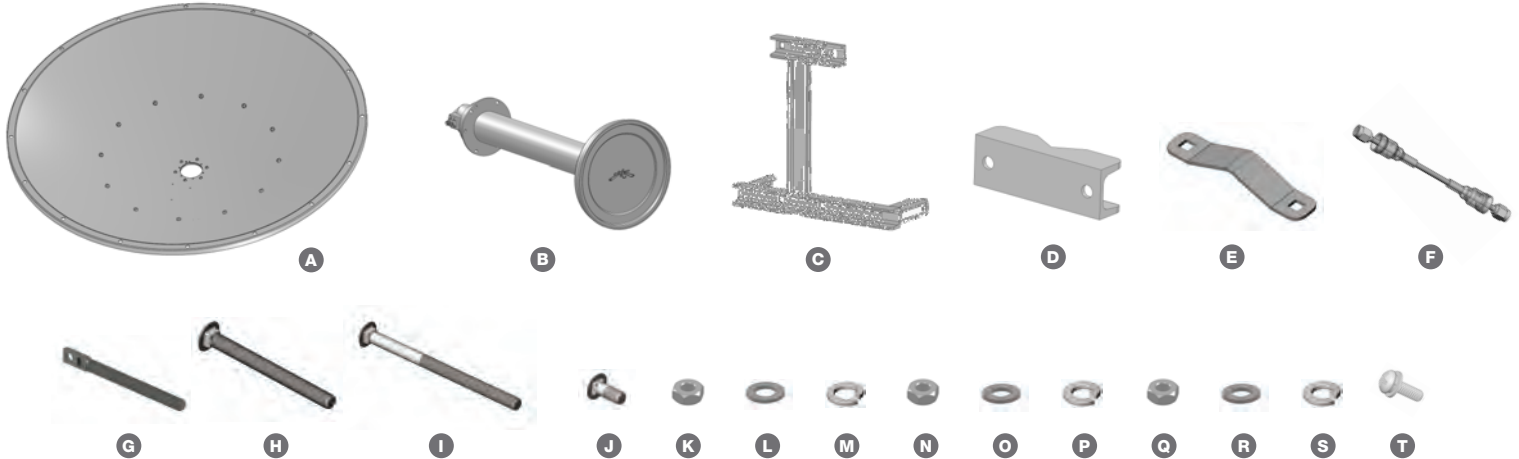


Installation Guide

Dish Series Antenna



Contents	Qty.		Qty.		Qty.
A Parabolic Reflector/Dish	1	H M10X100 Bolt	2	O M12 Washer	4
B Feed	1	I M12X180 Carriage Bolt	4	P M12 Spring Lock Washer	4
C Main Mounting Bracket	1	J M10X25 Carriage Bolt	3	Q M10 Nut	5
D Pole Bracket	2	K M16 Nut	2	R M10 Washer	5
E Stabilizer Bracket	2	L M16 Washer	2	S M10 Spring Lock Washer	5
F Waterproof Cable*	2	M M16 Spring Lock Washer	1	T M4 Bolt-Springlock-Washer Assembly	6
G M16 Elevation Rod	1	N M12 Nut	4		

* For model RD-5G34 and RD-3G30 only

** Products may be different from pictures and are subject to change without prior notice

Welcome

Thank you for purchasing this Ubiquiti Networks Backhaul Antenna. These instructions are for the following model numbers:

- (I) RD-5G34
- (II) MD-5G34
- (III) RD-3G30
- (IV) MD-3G30

Tools Required for Mounting

1. Screw driver Phillips #1 (Qty. 1)
2. 16mm or 5/8 inch wrench (Qty. 1)
3. 18mm wrench (Qty. 1)
4. 24mm wrench (Qty. 1)

General Warranty:

UBIQUITI NETWORKS, Inc ("UBIQUITI NETWORKS") represents and warrants that the Products furnished hereunder shall be free from defects in material and workmanship for a period of one (1) year from the date of shipment by UBIQUITI NETWORKS under normal use and operation. UBIQUITI NETWORKS sole and exclusive obligation under the foregoing warranty shall be to repair or replace, at its option, any defective Product that fails during the warranty period. The expense of removal and reinstallation of any item is not included in this warranty.

The foregoing warranty is exclusive and in lieu of all other warranties, express or implied, including the implied warranties of merchantability and fitness for a particular purpose and any warranties arising from a course of dealing, usage or trade practice with respect to the products. Repair or replacement in the manner provided herein shall be the sole and exclusive remedy of Buyer for breach of warranty and shall constitute fulfillment of all liabilities of UBIQUITI NETWORKS with respect to the quality and performance of the Products. UBIQUITI NETWORKS reserves the right to inspect all defective Products (which must be returned by Buyer to UBIQUITI NETWORKS factory freight prepaid).

No Products will be accepted for replacement or repair without obtaining a Return Materials Authorization (RMA) number from UBIQUITI NETWORKS. Products returned without an RMA number will not be processed and will be returned to Buyer freight collect. UBIQUITI NETWORKS shall have no obligation to make repairs or replacement necessitated by catastrophe, fault, negligence, misuse, abuse, or accident by Buyer, Buyer's customers or any other parties. The warranty period of any repaired or replaced Product shall not extend beyond its original term.

Warranty Conditions

The foregoing warranty shall apply only if:

(i) The Product has not been subjected to misuse, neglect or unusual physical, electrical or electromagnetic stress, or some other type of accident.

(ii) No modification, alteration or addition has been made to the Product by persons other than UBIQUITI NETWORKS or UBIQUITI NETWORKS's authorized representatives or otherwise approved by UBIQUITI NETWORKS.

(iii) The Product has been properly installed and used at all times in accordance, and in all material respects, with the applicable Product documentation.

Disclaimer: UBIQUITI NETWORKS does not warrant that the operation of the products is error-free or that operation will be uninterrupted. In no event shall UBIQUITI NETWORKS be responsible for damages or claims of any nature or description relating to system performance, including coverage, buyer's selection of products for buyer's application and/or failure of products to meet government or regulatory requirements.

Support

Ubiquiti support engineers are located in the U.S. and in Europe and are dedicated to helping customers resolve software, hardware compatibility, or field issues as quickly as possible.

Internet: www.ubnt.com

Internet Support Forum: www.forum.ubnt.com



IMPORTANT NOTICE

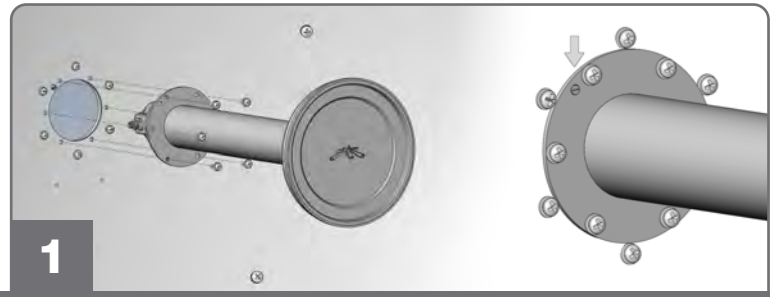
The parabolic reflector should be handled with care. Deformations in the shape will reduce the products effectiveness.

1. Install Feed to Dish

Install **B** Feed to **A** Dish by:

T M4 Bolt-Springlock-Washer Assembly (Qty. 6)

The Dish/Feed are keyed so that the feed can only be installed one way. To install, line up the alignment pin on the Dish with the hole on the Feed as shown in figure 1.

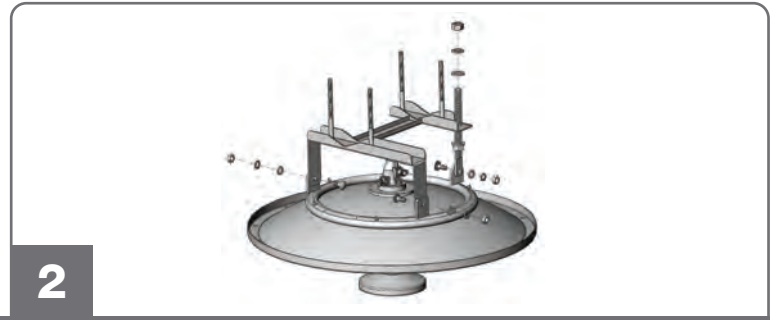


2. Install Main Mounting Bracket and Elevation Rod

Put **I** M12X180 Bolt on the **C** Main Mounting Bracket. Install **C** Main Mounting Bracket and **G** Elevation Rod to **A** Dish by:

J M10X25 Carriage Bolt (Qty. 3) **L** M16 Washer (Qty. 2)
R M10 Washer (Qty. 3) **M** M16 Spring Lock Washer (Qty. 1)
S M10 Spring Lock Washer (Qty. 3) **K** M16 Nut (Qty. 2)
Q M10 Nut (Qty. 3)

Pivot Points should be loose to allow mounting frame to move so that elevation rod can be installed.

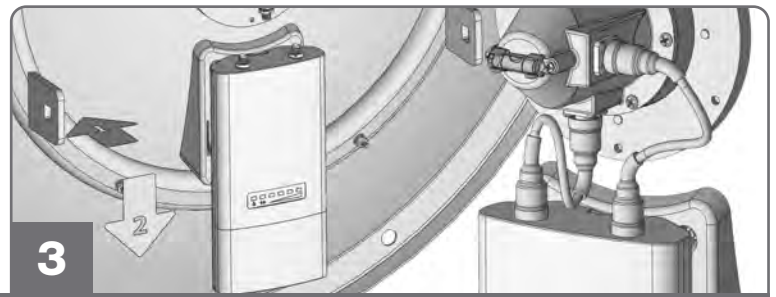


3. Install Rocket and Waterproof Cables

Model MD-5G34 and MD-3G30 go to step 4.

Install Rocket by lining up slots on Rocket/Dish bracket. Slide into place.

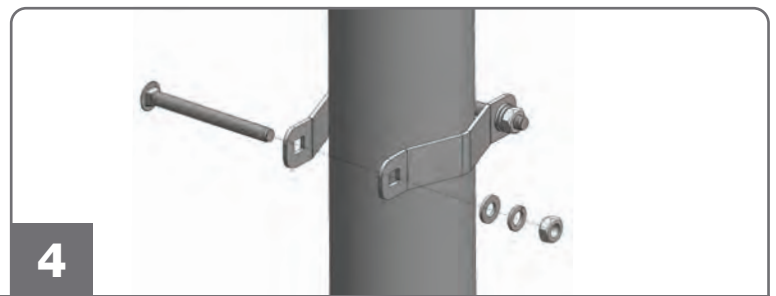
Install **F** Waterproof Cables (Qty. 2) to Rocket/Dish connectors. Rubber boot to be placed over connectors for weatherproofing.



4. Attach Stabilizer Bracket to Pole

Select location for Dish antenna and attach the stabilizer bracket to mounting pole just below where Dish will be installed as shown in figure 4. Tighten to 14M-m (10 lb-ft). Install **E** Stabilizer Bracket to pole by:

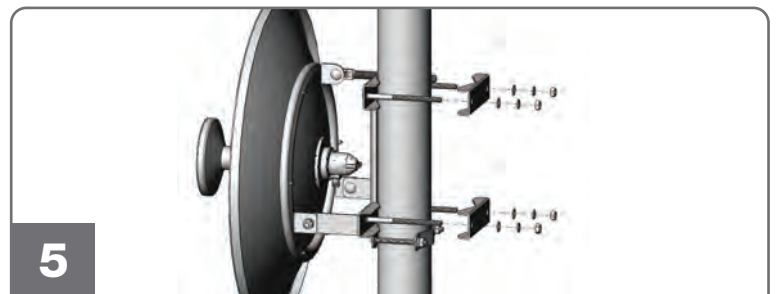
H M10X100 Bolt (Qty. 2)
O M10 Washer (Qty. 2)
P M10 Spring Lock Washer (Qty. 2)
N M10 Nut (Qty. 2)



5. Attach Antenna to Mounting Pole

Mounting bracket can accommodate $\varnothing 1.5$ "-4" pole. Mount the antenna slightly above the stabilizer bracket as shown in figure 5 using the following parts:

I M12X180 Carriage Bolt (Qty. 4)
O M12 Washer (Qty. 4)
P M12 Spring Lock Washer (Qty. 4)
N M12 Nut (Qty. 4)



6. Adjust Azimuth and Elevation

After a visual alignment of both elevation and azimuth, azimuth can be adjusted by rotating the antenna while supported by the stabilizer bracket. Elevation is adjusted by tightening/loosening the elevation rod.

When azimuth/elevation are set tighten nuts to approximately 14N-m(10 lb-ft) or less should the mounting pole show deformation.

