

# 4MP LightHunter Deep Learning Vandal-resistant Dome Network Camera

IPC3234SA-DZK



## Key Features

### Optics

- 1/1.8", Powered by lighthunter
- SmartIR, up to 40m (131 ft) IR distance
- Up to 120 dB Optical WDR (Wide Dynamic Range)

### Smart

- Face detection, up to 40 faces simultaneously
- Face metering, intelligent adjustment of face brightness
- Capture faces upon successful recognition or triggered by alarm input
- Automatic selection of best snapshots
- People counting, statistics of people entering, leaving and the total number
- Perimeter Protection, include Cross Line, Intrusion, Enter Area, Leave Area detection
- Exception Detection and Statistics, include Object Moving, Object Left, Defocus, Scene Change

### Compression

- H.265, H.264, MJPEG
- Triple streams
- 2560\*1440@30fps in the main stream
- ROI (Region of Interest)
- 9:16 corridor mode

### Network

- ONVIF Conformance

## Structure

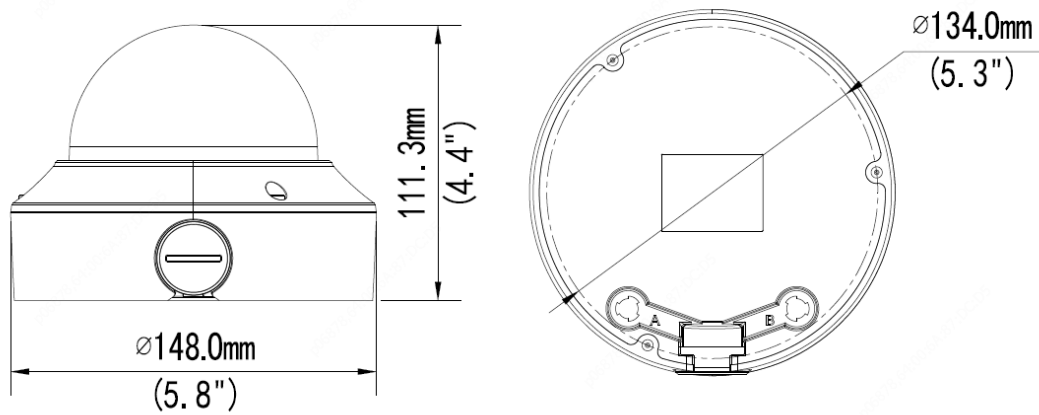
- DC12V or AC24V or PoE power supply
- Wide voltage range of  $\pm 25\%$  in AC,  $\pm 25\%$  in DC
- Micro SD, up to 256 GB
- Alarm 1 in and 1 out, Audio 1 in and 1 out
- IP67 ingress protection
- IK10 vandal resistant

## Specifications

	IPC3234SA-DZK				
<b>Camera</b>					
Sensor	1/1.8", 4.0 megapixel, progressive scan, CMOS				
Lens	2.8-12mm@F1.2, AF automatic focusing and motorized zoom lens				
Iris	Auto aperture				
DORI Distance	Lens (mm)	Detect (m)	Observe (m)	Recognize (m)	Identify (m)
	2.8-12	42-180	16.8-72	8.4-36	4.2-18
Angle of View (H)	35.6°~107.9°				
Angle of View (V)	20.4°~75.4°				
Angle of View (O)	43.8°~140.3°				
Shutter	Auto/Manual, 1 ~ 1/100000s				
Adjustment angle	Pan: 0°~355°		Tilt: 0°~68°	Rotate: 0°~355	
	30Min. Illumination Colour:0.0005lux (F1.2, AGC ON) 0 lux with IR				
WDR	120dB				
Day/Night	IR-cut filter with auto switch (ICR)				
<b>Video</b>					
Video Compression	H.265, H.264, MJPEG				
Frame Rate	4MP(2560*1440),Max 30fps				
9:16 corridor mode	Supported				
ROI	Supported				
Video stream	Triple streams				
OSD	Up to 8 OSDs				
Privacy Mask	Supported				
<b>Smart</b>					
Behavior Detection	Line crossing detection, Intrusion detection, Region entrance detection, Region exit detection				
Exception Detection And Statistics	Object Moving, Object Left, Defocus, Scene Change				
Recognition	Face detection				
Statistical Analysis	People counting				
General Function	Watermark, IP Address Filtering, Tampering Alarm, Alarm input, Alarm output, Access Policy, ARP Protection, RTSP Authentication, User Authentication				
<b>Audio</b>					
Audio Compression	G.711u,G.711A				
Voice intercom	Supported				
Sampling Rate	8KHZ				
<b>Storage</b>					
Edge Storage	Micro SD, up to 256 GB				
<b>Network</b>					
Protocols	L2TP,IPv4,IGMP,ICMP,ARP,TCP,UDP,DHCP,PPPoE,RTP,RTSP,DNS,DDNS,NTP,FTP,UPnP,HTTP,SNMP,SIP				
Compatible Integration	ONVIF,GB/T28181,IMOS				
<b>Interface</b>					
Audio I/O	Audio cable				
	1/1				
Alarm I/O	1/1				
Network	1 x RJ45 10M/100M Base-TX Ethernet				
<b>General</b>					
Power	AC24V $\pm 25\%$ , DC12V( $\pm 25\%$ ), PoE(IEEE 802.3af)				
	Power consumption: 4.5W ~10W				

	Support reverse polarity protection, Overvoltage and overcurrent protection , Input short circuit protection
Dimensions (∅ x H)	∅148 x 111.3mm(∅5.8" x 4.4")
Weight	0.96kg(2.12lb)
Working Environment	-30°C~60°C(-22°F ~ 140°F), ≤95%RH
IR fill-in light	40m (131 ft)
Vandal Resistant	IK10
Ingress Protection	IP67

## Dimensions



**Zhejiang Uniview Technologies Co., Ltd.**

Building No.10, Wanlun Science Park, Jiangling Road 88, Binjiang District, Hangzhou, Zhejiang, China (310051)

Email: [overseasbusiness@uniview.com](mailto:overseasbusiness@uniview.com); [globalsupport@uniview.com](mailto:globalsupport@uniview.com)

<http://www.uniview.com>

©2019 Zhejiang Uniview Technologies Co., Ltd. All rights reserved.

\*Product specifications and availability are subject to change without notice