

# 4MP Network IR Fixed Dome Camera

## IPC3614SR3 Series



## Key Features

### Optics

- Auto day/night functionality
- Optical glass window with higher light transmittance
- IR anti-reflection window to increase the infrared transmittance
- 3D DNR (Digital Noise Reduction)
- Smart IR

### Compression

- H.264 High Profile
- Triple streams
- 9:16 corridor format

### Network

- ONVIF Conformance

### Structure

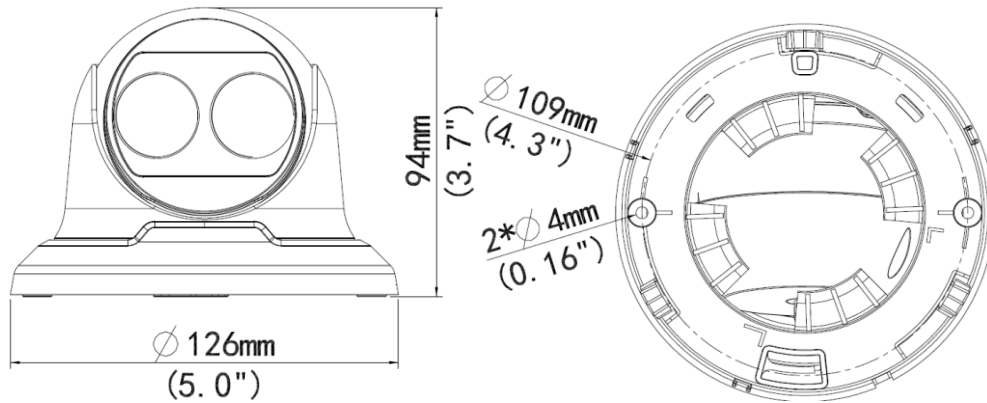
- Wide temperature range: -35°C to 60°C (-31°F to 140°F)
- Wide voltage range of  $\pm 25\%$

- 4 KV surge protection designed for network interface
- IP66

## Specifications

|                         | IPC3614SR3-DPF28   | IPC3614SR3-DPF36                      | IPC3614SR3-DPF60                    |
|-------------------------|--|---------------------------------------|-------------------------------------|
| <b>Camera</b>           |  |                                       |                                     |
| Sensor                  | 1/3", 4 megapixel, progressive scan, CMOS  |                                       |                                     |
| Lens                    | 2.8mm@F1.8<br>Angle of view(H): 99.1°  | 3.6mm@F1.8<br>Angle of view(H): 76.7° | 6mm@F1.8<br>Angle of view(H): 46.9° |
| Min. Illumination       | Colour: 0.06 Lux (F1.8, AGC ON)<br>0 Lux with IR   |                                       |                                     |
| Shutter                 | Auto/Manual, 1/6~1/8000 s  |                                       |                                     |
| Day/Night               | IR-cut filter with auto switch (ICR)   |                                       |                                     |
| IR                      | 30m (98 ft) IR range   |                                       |                                     |
| AWB(Auto white balance) | Auto/manual  |                                       |                                     |
| Gain Control            | Auto/manual  |                                       |                                     |
| WDR                     | 120dB  |                                       |                                     |
| Noise Reduction         | 2D/3D  |                                       |                                     |
| <b>Video</b>            |  |                                       |                                     |
| Max. Resolution         | 2592×1520  |                                       |                                     |
| Video Compression       | H.264/MJPEG  |                                       |                                     |
| Frame Rate              | 4MP (2592×1520): Max. 20 fps; 4MP (2560×1440): Max. 25 fps<br>3MP (2048×1520): Max. 30 fps; 1080P (1920×1080): Max. 30 fps |                                       |                                     |
| Video Streaming         | Triple   |                                       |                                     |
| OSD                     | Up to 8 OSDs   |                                       |                                     |
| 9:16 Corridor Mode      | Supported  |                                       |                                     |
| Motion Detection        | Up to 2 areas  |                                       |                                     |
| Privacy Mask            | Up to 4 areas  |                                       |                                     |
| <b>Network</b>          |  |                                       |                                     |
| Protocols               | IPv4,IGMP,ICMP,ARP,TCP,UDP,DHCP,RTP,RTSP,Qos,DNS,DDNS,NTP,FTP,UPnP,HTTP  |                                       |                                     |
| Compatible Integration  | ONVIF,API  |                                       |                                     |
| <b>Interface</b>        |  |                                       |                                     |
| Network                 | 10M/100M Base-TX Ethernet  |                                       |                                     |
| <b>General</b>          |  |                                       |                                     |
| Power                   | 12 V DC, or PoE (IEEE802.3 af)   |                                       |                                     |
|                         | Power consumption: 3.5 W (5.5W with IR on)   |                                       |                                     |
| Dimensions (Ø x H)      | Ø126 x 94 mm (Ø5.0" x 3.7")  |                                       |                                     |
| Weight                  | 0.33 kg (0.73 lb)  |                                       |                                     |
| Operating Conditions    | -35°C ~ +60°C (-31°F ~ 140°F), Humidity ≤ 90% RH(non-condensing)   |                                       |                                     |
| Ingress Protection      | IP66   |                                       |                                     |

## Dimensions



**Zhejiang Uniview Technologies Co.,Ltd.**

South Tower, Building 10, Wanlun Science Park, 88 Jiangling Road, Hangzhou, P.R.China 310051

Email: [overseasbusiness@uniview.com](mailto:overseasbusiness@uniview.com); [globalsupport@uniview.com](mailto:globalsupport@uniview.com)

<http://www.uniview.com>

©2016 Zhejiang Uniview Technologies Co.,Ltd. All rights reserved.

\*Product specifications and availability are subject to change without notice.