

# 2MP LightHunter IR Network PTZ Camera

IPC6312LR-AX4-VG



## Key Features



- High quality image with 2MP, 1/2.7"CMOS sensor
- Ultra 265, H.265, H.264, MJPEG
- LightHunter technology ensures ultra-high image quality in low illumination environment
- Up to 120 dB Optical WDR (Wide Dynamic Range)
- Built-in Mic & Speaker
- Smart IR, Up to 50 m (164 ft) IR distance
- Micro SD, up to 256GB
- IP66 protection
- DC12V or PoE (IEEE 802.3af) power supply

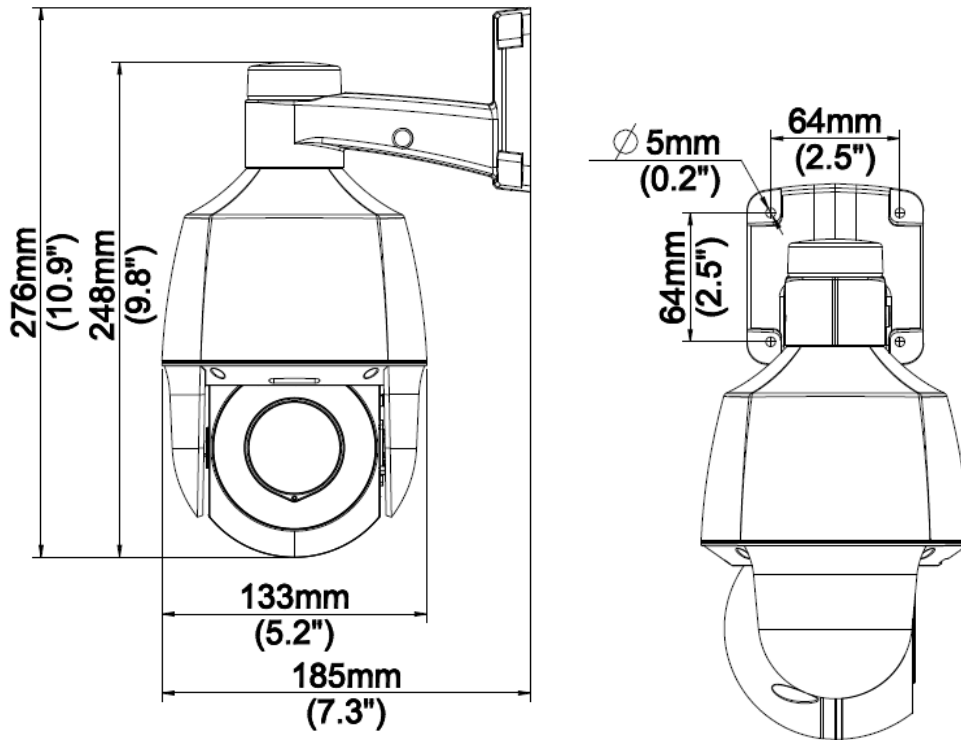
## Specifications

IPC6312LR-AX4-VG					
<b>Camera</b>					
Sensor	1/2.7" progressive scan, 2.0 megapixel, CMOS				
Min. Illumination	Colour: 0.002Lux (F1.6, AGC ON) 0Lux with IR on				
Day/Night	IR-cut filter with auto switch (ICR)				
Shutter	Auto/Manual, shutter time: 1 s ~ 1/100000 s				
WDR	120dB				
S/N	>52dB				
<b>Lens</b>					
Lens type	2.8~12mm , AF automatic focusing and motorized zoom lens				
Optical Zoom	4				
Iris	Fixed; F1.6				
Angle of View (H)	105.2° ~ 29.32°				
Angle of View (V)	52.6° ~ 16.38°				
Angle of View (O)	108.7° ~ 33.3°				
<b>DORI</b>					
DORI Distance	Lens (mm)	Detect (m)	Observe (m)	Recognize (m)	Identify (m)
	2.8mm	43.4 (142.4ft)	17.4 (57.1ft)	8.7 (28.5ft)	4.3 (14.1ft)
	12mm	186.2 (610.9ft)	74.5 (244.4ft)	37.2 (122.1ft)	18.6 (61.0ft)
<b>Illuminator</b>					
IR Range	Up to 50m (164ft)				
Wavelength	850nm				
IR On/Off Control	Auto/Manual				
<b>Video</b>					
Video Compression	Ultra 265, H.265, H.264, MJPEG				
Frame Rate	Main Stream: 2MP (1920*1080), Max 30fps; 720P (1280*720), Max 30fps; Sub Stream: 720P (1280*720), Max 30fps; D1 (720*576), Max 30fps; 640*360,Max 30fps; 2CIF(704*288), Max 30fps; CIF(352*288), Max 30fps; Third Stream: D1 (720*576), Max 30fps; 640*360,Max 30fps; 2CIF(704*288), Max 30fps; CIF(352*288), Max 30fps;				
Video Bit Rate	128 Kbps ~ 16 Mbps				
ROI	Support				
Video Stream	Triple streams				
OSD	Up to 8 OSDs				
Privacy Mask	Up to 4 areas				
<b>Image</b>					
White Balance	Auto/Outdoor/Fine Tune/Sodium Lamp/Locked/Auto2				
Digital Noise Reduction	2D/3D DNR				
Smart IR	Support				
Flip	Normal/Flip Vertical/Flip Horizontal/180°/90°Clockwise/90°Anti-clockwise				
HLC	Support				
BLC	Support				
Defog	Digital Defog				

Events	
Basic Detection	Motion detection, Audio detection, Tampering Alarm
Auto Tracking	Support
General Function	Watermark, IP Address Filtering, Access Policy, ARP Protection, RTSP Authentication, User Authentication
Audio	
Audio Compression	G.711U,G.711A
Two-way Audio	Support
Suppression	Support
Sampling Rate	8 kHz
Storage	
Edge Storage	Micro SD, up to 256 GB
Network Storage	ANR,NAS(NFS)
Network	
Protocols	IPv4, IGMP, ICMP, ARP, TCP, UDP, DHCP , PPPoE, RTP, RTSP, RTCP, DNS, DDNS, NTP, FTP, UPnP, HTTP, HTTPS, SMTP , 802.1x , SNMP, SSL
Compatible Integration	ONVIF (Profile S, Profile G, Profile T), API
Client	EZStation EZLive EZView
Web Browser	Plug-in required live view: IE9+, Chrome 41 and below, Firefox 52 and below
Pan & Tilt	
Pan Range	0° ~ 345°
Pan Speed	0.1°/s ~ 50°/s
	Preset speed: 50°/s
Tilt Range	-10° ~ 110°
Tilt Speed	0.1°/s ~ 40°/s
	Preset speed: 40°/s
Number of Presets	256
Preset Patrol	16 patrols, up to 64 presets for each patrol
Patrol Stay Time	120s~1800s
Home Position	Support
Interface	
Built-in Mic	Support
Built-in Speaker	Support
Network	1 * RJ45 10M/100M Base-TX Ethernet
Alarm Light	Support
Certification	
Safety	CE: EN 60950-1 UL: UL60950-1 FCC: FCC Part 15
General	
Power	DC12V(±25%), PoE (IEEE 802.3af)
	Power consumption: MAX 15W
Power Interface	Ø 5.5mm coaxial power plug
Dimensions (Ø x H)	Φ133mm*248mm (Φ5.2" x 9.8" )
Weight	0.84 kg (1.85lb)

Working Environment	-20°C ~ 60°C (-4°F to 140°F), Humidity: ≤95% RH(non-condensing)
Storage Environment	-40°C ~ 70°C (-40°F to 158°F), Humidity: ≤95% RH(non-condensing)
Surge Protection	2KV
Reset Button	Support
Protection	Ingression protection: IP66 Vandal resistant: N/A

## Dimensions



## Accessories

TR-JB07-D-IN



TR-UP06-B-IN



TR-UP06-C-IN



TR-A01-IN



TR-CM06-A



**Zhejiang Uniview Technologies Co., Ltd.**

South Tower, Building 10, Wanlun Science Park, 88 Jiangling Road, Hangzhou, P.R.China 310051

Email: [overseasbusiness@uniview.com](mailto:overseasbusiness@uniview.com); [globalsupport@uniview.com](mailto:globalsupport@uniview.com)

<http://www.uniview.com>

©2022 Zhejiang Uniview Technologies Co., Ltd. All rights reserved.

\*Product specifications and availability are subject to change without notice.