

5MP WDR Starlight IR Network Indoor MiniPTZ Dome Camera

IPC6415SR-X5UPW



Key Features

Optics

- Starlight illumination
- Day/night functionality
- Smart IR , up to 30 m (98 ft) IR distance
- Up to 120 dB Optical WDR(Wide Dynamic Range)
- Optical glass window with higher light transmittance
- IR anti-reflection window to increase the infrared transmittance
- 2D/3D DNR (Digital Noise Reduction)

Compression

- Ultra 265,H.265, H.264, MJPEG
- Built-in microphone & speaker

- Triple streams
- ROI (Region of Interest)

Network

- ONVIF Conformance

Structure

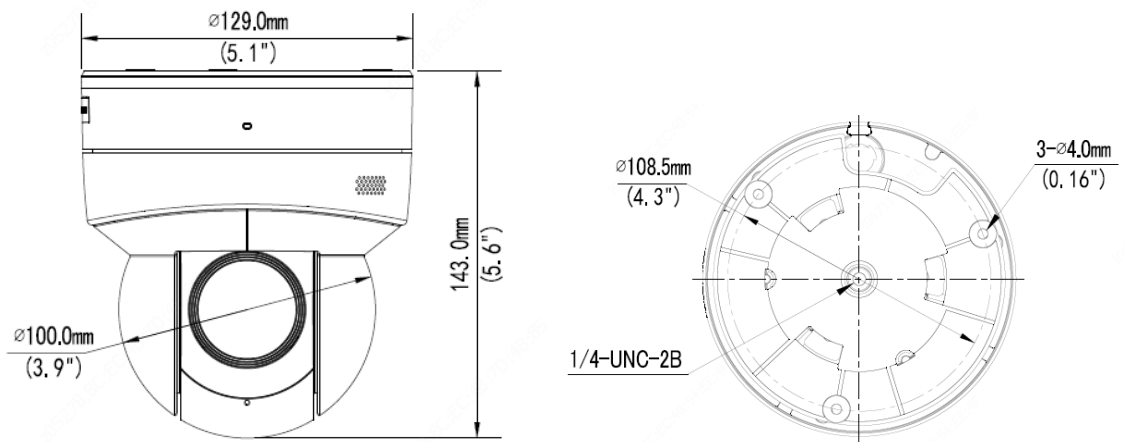
- Support PoE power supply
- Wide temperature range: -10°C to 50°C (14°F to 122°F)
- Wide voltage range of ±25%

Specifications

IPC6415SR-X5UPW																
Camera																
Sensor	1/2.7" progressive scan, 5.0 megapixel, CMOS															
Lens	2.7~13.5mm, AF automatic focusing and motorized zoom lens															
DORI Distance	<table border="1"> <thead> <tr> <th>Lens</th> <th>Detect(m)</th> <th>Observe(m)</th> <th>Recognize(m)</th> <th>Identify(m)</th> </tr> </thead> <tbody> <tr> <td>2.7mm</td> <td>60.8</td> <td>24.3</td> <td>12.2</td> <td>6.1</td> </tr> <tr> <td>13.5mm</td> <td>303.8</td> <td>121.5</td> <td>60.8</td> <td>30.4</td> </tr> </tbody> </table>	Lens	Detect(m)	Observe(m)	Recognize(m)	Identify(m)	2.7mm	60.8	24.3	12.2	6.1	13.5mm	303.8	121.5	60.8	30.4
	Lens	Detect(m)	Observe(m)	Recognize(m)	Identify(m)											
	2.7mm	60.8	24.3	12.2	6.1											
13.5mm	303.8	121.5	60.8	30.4												
Angle of View (H)	27.9°~98.3°															
Angle of View (V)	20.6°~70.3°															
Angle of View (O)	30.0°~136.9°															
Shutter	Auto/Manual, shutter time: 1 s ~ 1/100000 s															
Minimum Illumination	Colour: 0.002 lux (F1.2,AGC ON) 0 lux with IR															
Iris	F1.2															
Day/Night	IR-cut filter with auto switch (ICR)															
Digital noise reduction	2D/3D DNR															
S/N	>55 dB															
IR Range	UP to 30m (98ft)															
WDR	120dB															
Video																
Video Compression	Ultra 265,H.265, H.264, MJPEG															
H.264 code profile	Baseline profile, Main Profile, High Profile															

Frame Rate	Main Stream:5M (2592*1944):Max. 30 fps; Sub Stream: 720P (1280*720):Max. 30 fps; Third Stream: D1 (720*576): Max. 30 fps
BLC	Supported
OSD	Up to 8 OSDs
Privacy Mask	Up to 24 areas
ROI	Up to 8 areas
Motion Detection	Up to 4 areas
Smart	
General Function	Watermark, IP Address Filtering, Tampering Alarm, Alarm input, Alarm output, Access Policy, ARP Protection, RTSP Authentication, User Authentication
Audio	
Audio Compression	G.711
Suppression	Supported
Sampling Rate	8 KHZ
Storage	
Edge Storage	Micro SD, up to 256 GB
Network Storage	ANR
Network	
Protocols	IPv4, IGMP, ICMP, ARP, TCP, UDP, DHCP , PPPoE, RTP, RTSP, RTCP, DNS, DDNS, NTP, FTP, UPnP, HTTP, HTTPS, SMTP , 802.1x , SNMP, SSL
Compatible Integration	ONVIF(Profile S, Profile G), API
Pan & Tilt	
Pan Range	350°
Pan Speed	0.1°/s ~ 60°/s
	Preset speed: 60°/s
Tilt Range	0° ~ 90°
Tilt Speed	0.1° ~ 50°/s
	Preset speed: 50°/s
Number of Presets	1024
Home Position	Supported
Interface	
Alarm I/O	1/1
Serial Port	1 RS485
Network	1 RJ45 10M/100M Base-TX Ethernet
Built-in Mic	Supported
Built-in Speaker	Supported
WIFI	Supported
General	
Power	DC 12V±25%, PoE (IEEE802.3 at)
	Power consumption: Max 16W
Dimensions (Ø x H)	Φ129mm×143mm(Φ5.07" x5.63")
Weight	0.75kg(1.65lb)
Working Environment	-10°C ~ +50°C (14°F ~ 122°F), Humidity: ≤95% RH(non-condensing)
Reset Button	Supported

Dimensions



Zhejiang Uniview Technologies Co., Ltd.

South Tower, Building 10, Wanlun Science Park, 88 Jiangling Road, Hangzhou, P.R.China 310051

Email: overseasbusiness@uniview.com; globalsupport@uniview.com

<http://www.uniview.com>

©2019 Zhejiang Uniview Technologies Co., Ltd. All rights reserved.

*Product specifications and availability are subject to change without notice.