

# iClock990

## Fingerprint Time Attendance & Access Control Terminal



iClock990 is a 3.5-inch TFT screen fingerprint Time Attendance & Access Control terminal. It has a very user-friendly interface with the new firmware and latest core board. Users can easily manage data via RS232/485, TCP/IP and USB-host. Most importantly, the built-in 2000mAh backup battery can eliminate the trouble of power failure.

The iClock990 has access control interfaces for Wiegand-in, Wiegand-out, door lock, alarm and door bell.

---

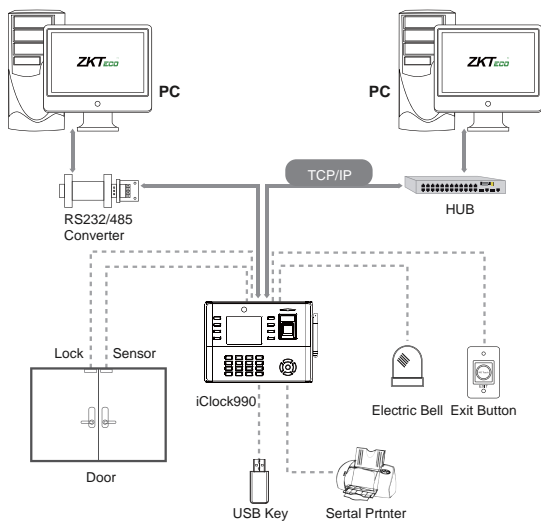
## Features

- Intuitive and stunning UI designed with the most popular and internationalized factor.
- Interface operation adopts modularized hierarchical design. Simpler, better and more logical.
- Faster matching speed: less than 0.5 second.
- Easy to extend functions and customize customer's demand.
- Support user validity settings.
- Support data backup and retrieve
- Support advanced Workcode consisted of letters and numbers.
- Support chip encryption for firmware protection.
- Support more flexible menu configuration: double line text display.
- Support external printer for attendance records output (Optional)

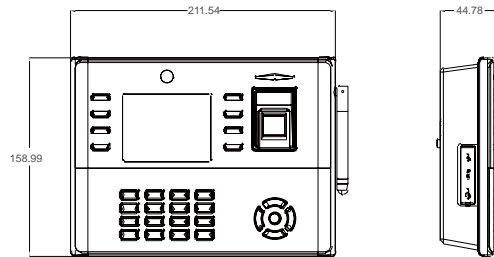
# Specifications

Fingerprint Capacity	8000 (1:N)
ID Card Capacity	10,000 (Optional)
Record Capacity	200,000
Display	3.5-inch TFT Screen
Communication	TCP/IP, RS232/485, USB (host/client)
Standard Functions	Web Server, SMS, Automatic Status Switch, Self-Service Query, Work Code T9 input, 9 Digits User ID, DST, Schedule Bell, Photo ID, Anti-passback, Built-in Battery
Access Control Interface	3rd Party Electric Lock, Door Sensor, Exit Button, Alarm and Door Bell
Optional Functions	ID/Mifare/HID, GPRS, WiFi, ADMS, External Printer, Camera
Wiegand Interface	Input & Output
Software	ZKTime. Net 3.0, ZKTime Enterprise/Lite
Power Supply	DC 12V 3A
Verification Speed	≤0.5 Sec.
Operating Temp.	0 °C- 45 °C
Operating Humidity	20%-80%
Dimension	158.99 × 211.54 × 44.78 mm (Length × Width × Thickness)

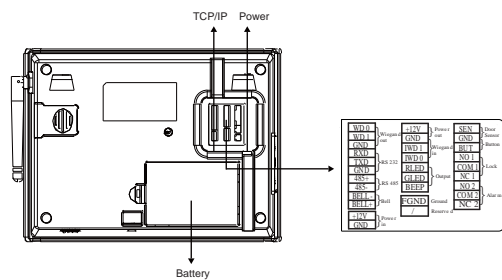
## Configuration



## Dimensions



## Interface



## What's in the Box

